

Z400 Series Floor Drain **Stabilizer Ring**

Unwavering Support During Construction



Labor Savings

- Prevents the drain from floating, tilting or being knocked out of position during construction
- Permits pre-assembly, expediting accurate on-sight installation

Innovative

- Patent pending design improves slab on grade installations
- Compatible with Z315, Z415 and Z556 drainage solutions
- Unlimited flexibility of use with Neo-Loc, No-Hub, Inside Caulk, Threaded, and Inside Gasket connection types

Dependable

- Dura-Coated cast iron construction
- Securely holds drain assembly plumb and level on pipe during concrete pour

Installation Process



Seat gasket.



Thread rods into body and hand tighten screws.

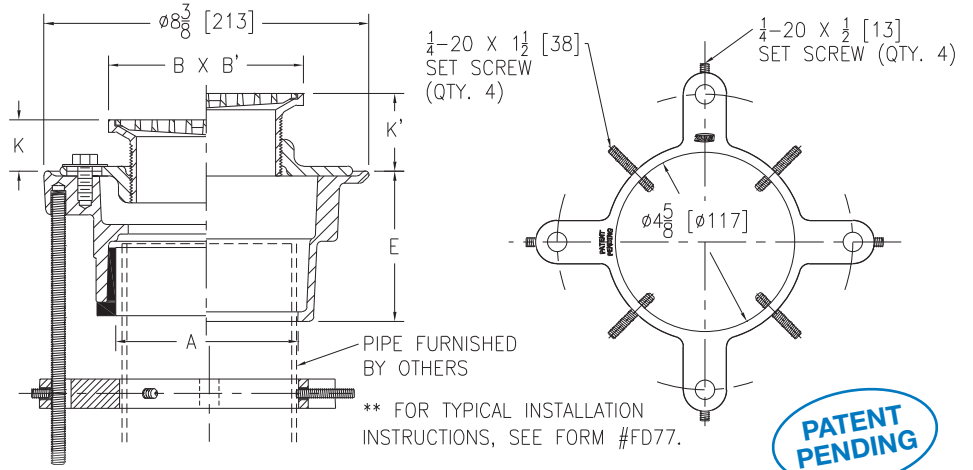


Push drain onto pipe.



Tighten to pipe with allen wrench.

Zurn Z400-SR Floor Drain Stabilizer Ring



A Pipe Size	B x B' Strainer Top Size	Dimensions in Inches [mm]				Approx Wt. Lbs. [kg]	Strainer Open Area Sq. In. [cm ²]
		K		K'			
		Min.	Max.	Min.	Max.		
2-3 [51-76]	5x5 [127x127]	1 [25]	1-19/32 [40]	1-1/4 [32]	2-3/8 [60]	14 [6]	9 [58]
2-3-4 [51-76-102]	6x6 [152x152]	1 [25]	1-27/32 [47]	1-13/32 [36]	2-19/32 [66]	15 [7]	13 [84]
2-3-4 [51-76-102]	7x7 [178x178]	1 [25]	1-7/8 [48]	1-3/8 [35]	2-5/8 [67]	16 [7]	21 [135]
3-4 [76-102]	8x8 [203x203]	1-3/32 [28]	1-7/8 [48]	1-3/4 [44]	2-5/8 [67]	17 [8]	28 [181]

ENGINEERING SPECIFICATION: ZURN ZN415S-SR Floor and shower drain, Dura-Coated cast iron body with bottom outlet, combination invertible membrane clamp and adjustable collar with seepage slots and "TYPE S" polished nickel bronze square heelproof strainer. Complete with Dura-Coated cast iron floor drain stabilizer ring with four 1/4-20x1/2 [13] securing screws to 3/8-16x7 [178] threaded rods and four 1/4-20x1-1/2 [38] securing screws to outlet piping.

Z415S-SR Options

OUTLETS (Specify pipe size in inches and type of outlet.)

OUTLET TYPE	DESIGNATION Pipe Size/Outlet Type	'E' BODY HEIGHT/DIM.
Inside Caulk	2IC, 3IC, 4IC	3 7/8 [98]
Inside Gasket	2IG, 3IG, 4IG	3 7/8 [98]
Threaded	2IP	2 3/8 [60]
	3IP	2 5/8 [67]
	4IP	2 7/8 [73]
No Hub	2NH, 3NH, 4NH	3 7/8 [98]
Neo-Loc	2NL, 3NL, 4NL	3 3/4 [95]

PREFIXES

ZB D.C.C.I. Body Assembly with Polished Bronze Strainer
ZN D.C.C.I. Body Assembly with Polished Nickel Bronze Strainer

SUFFIXES

-AR Acid Resisting Epoxy Coated Cast Iron
-CP Chrome-Plated Top
-DC Debris Cover (Field Assembled)
-DP Decorative Polished Top
-EF 3/8 [10] Extension Frame
-G Galvanized Cast Iron
-HD Heavy Duty Grate (ZN 6x6 [152x152] Only)
-P Trap Primer Connection (Specify 1/2 [13] or 3/4 [19])
-PD Prom Deck Top (8x8 [203x203] Only)
-TC Neo-Loc Test Cap Gasket (2-4 [51-102] NL Outlet Only)
-U 1-3 [25-76] High Extension Adapter
-V Backwater Valve
-VP Vandal-Proof Secured Top
-Y Sediment Bucket
-18 Leveling Ring

Zurn specification sheet shown as ZN415S-P-SR.

ZURN INDUSTRIES, LLC SPECIFICATION DRAINAGE OPERATION

1801 PITTSBURGH AVENUE, ERIE, PA, U.S.A. 16502, PHONE: 814/455-0921, FAX: 814/454-7929 www.zurn.com

In Canada: **ZURN INDUSTRIES LIMITED**

3544 NASHUA DRIVE, MISSISSAUGA, ONTARIO L4V 1L2, PHONE: 905/405-8272, FAX: 905/405-1292