



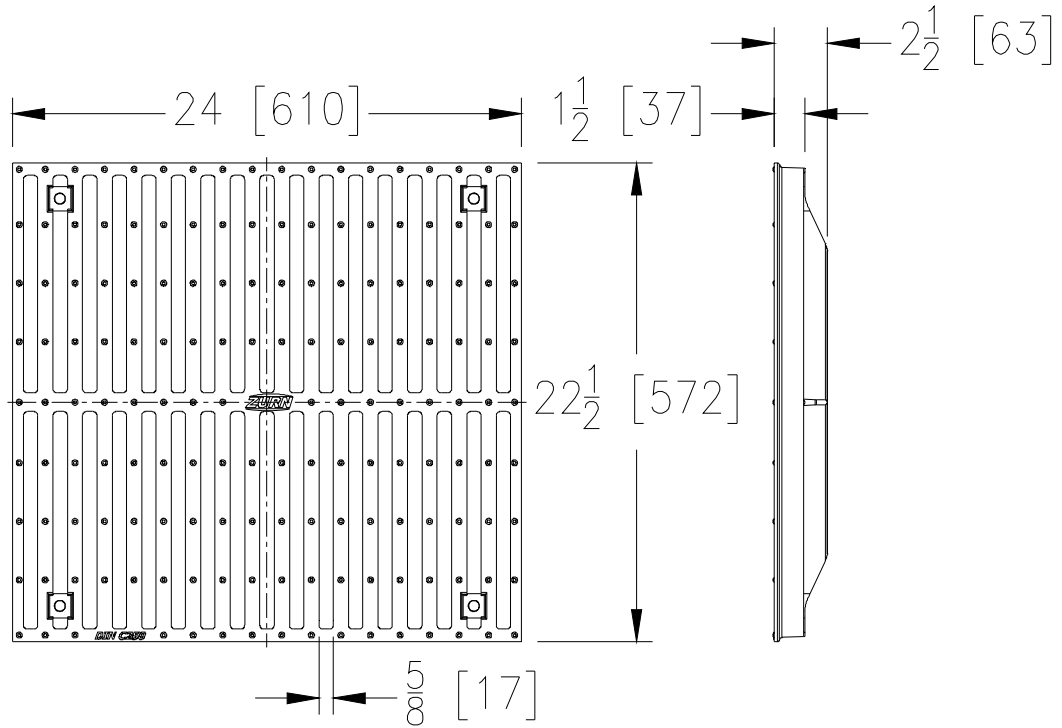
P817-DGC-24X24

24 [610] Wide Slotted Grate

Dimensional Data (inches and [mm]) are Subject to Manufacturing Tolerances and Change Without Notice

[Back to Index](#)

Please Check ✓	Item No.	Part Number	Item I.D.
	1	60332	P817-DGC-24X24



DGC GRATE ENGINEERING SPECIFICATION: The Zurn P817-DGC-24X24 Slotted Grate, Ductile Iron, 24 inches wide by 22-1/2 inches long, weighing 95.8 lbs. The grate has an open area of 228.8 square inches, DIN Rating of C, ANSI Rating of Heavy-Duty, and H-20 load rated.

DGC - Slotted Grate	
Material:	Ductile Iron
DIN Rating:	Class C
Weight:	95.8 lbs.
Open Area:	228.8 in ²
ANSI Rating:	Heavy-Duty
Application:	Heavy Vehicle & Truck
Slot Width/Hole Size:	11/16
ADA:	No
H-20:	Yes
FAA:	No

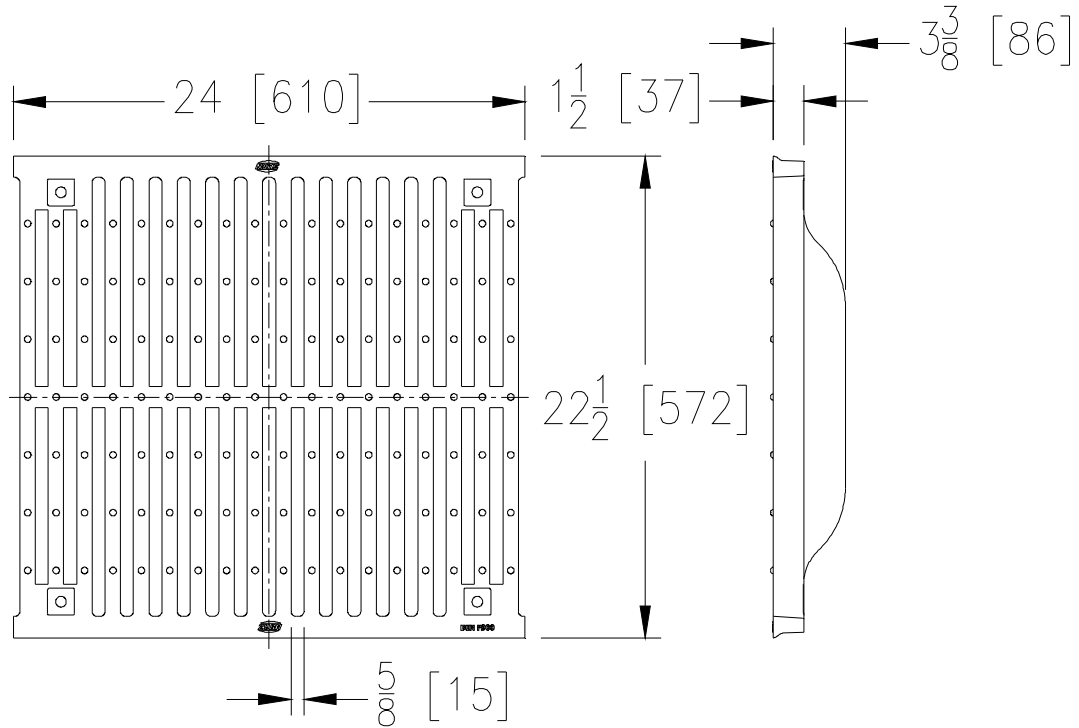


P817-DGF-24X24
24 [610] Wide SlottedGrate

Dimensional Data (inches and [mm]) are Subject to Manufacturing Tolerances and Change Without Notice

[Back to Index](#)

Please Check ✓	Item No.	Part Number	Item I.D.
	2	82310	P817-DGF-24X24



DGF GRATE ENGINEERING SPECIFICATION: The Zurn P817-DGF-24X24 Slotted Grate, Ductile Iron, 24 inches wide by 22-1/2 inches long, weighing 115.1 lbs. The grate has an open area of 206.4 square inches, DIN Rating of F, ANSI Rating of Special Duty, H-20 load rated and FAA load rated.

DGF - Slotted Grate	
Material:	Ductile Iron
DIN Rating:	Class F
Weight:	115.1 lbs.
Open Area:	206.4 in ²
ANSI Rating:	Special-Duty
Application:	Dynamic Loads
Slot Width/Hole Size:	5/8
ADA:	No
H-20:	Yes
FAA:	Yes

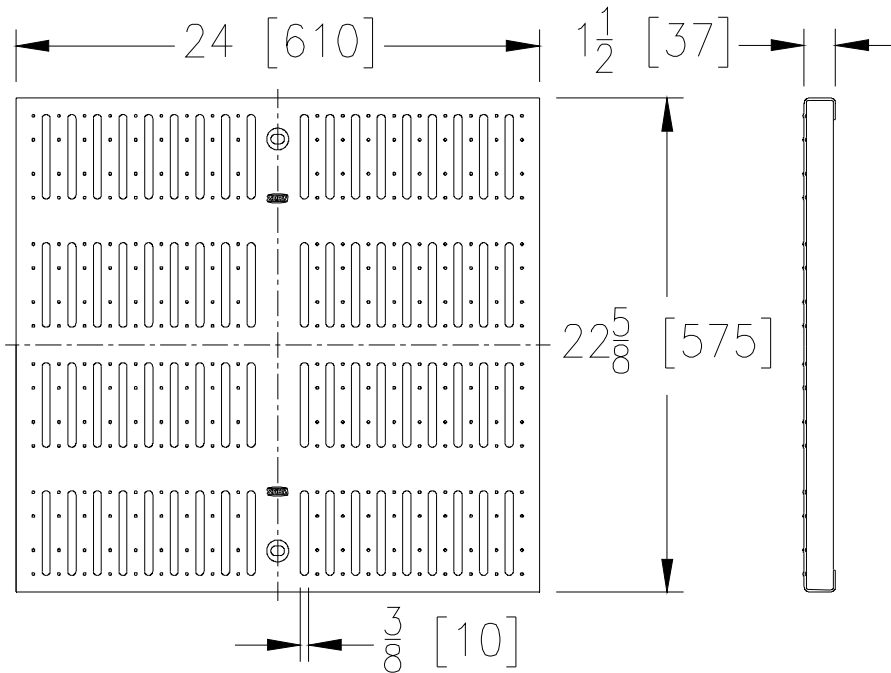


P817-FG-24X24
24 [610] Wide Slotted Grate

Dimensional Data (inches and [mm]) are Subject to Manufacturing Tolerances and Change Without Notice

[Back to Index](#)

Please Check	Item No.	Part Number	Item I.D.
✓	3	61022	P817-FG-24X24



FG GRATE ENGINEERING SPECIFICATION: The Zurn P817-FG-24X24 Slotted Grate, Galvanized Steel, 24 inches wide by 22-1/2 inches long, weighing 46.2 lbs. The grate has an open area of 101 square inches, DIN Rating of A and ANSI Rating of Light-Duty.

FG - Slotted Grate	
Material:	Galvanized Steel
DIN Rating:	Class A
Weight:	46.2 lbs.
Open Area:	101 in ²
ANSI Rating:	Light-Duty
Application:	Decorative
Slot Width/Hole Size:	3/8
ADA:	Yes
H-20:	No
FAA:	No



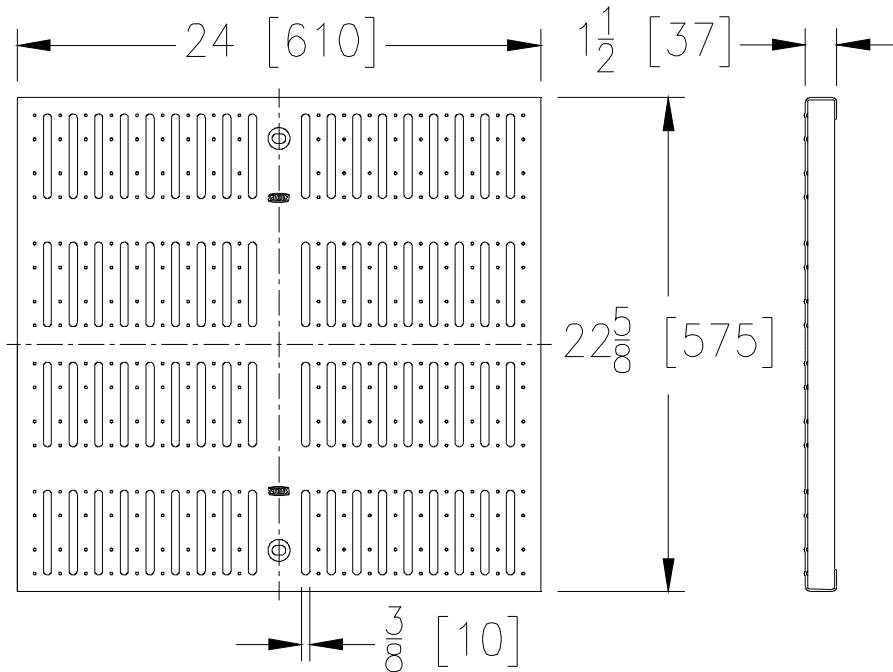
P817-FS-24X24

24 [610] Wide Slotted Grate

Dimensional Data (inches and [mm]) are Subject to Manufacturing Tolerances and Change Without Notice

[Back to Index](#)

Please Check	Item No.	Part Number	Item I.D.
✓	4	61022	P817-FS-24X24



FS GRATE ENGINEERING SPECIFICATION: The Zurn P817-FS-24X24 Slotted Grate, Stainless Steel, 24 inches wide by 22-5/8 inches long, weighing 47.5 lbs. The grate has an open area of 101 square inches, DIN Rating of A and ANSI Rating of Light-Duty.

FS - Slotted Grate	
Material:	Stainless Steel
DIN Rating:	Class A
Weight:	47.5 lbs.
Open Area:	101 in ²
ANSI Rating:	Light-Duty
Application:	Decorative
Slot Width/Hole Size:	3/8
ADA:	Yes
H-20:	No
FAA:	No

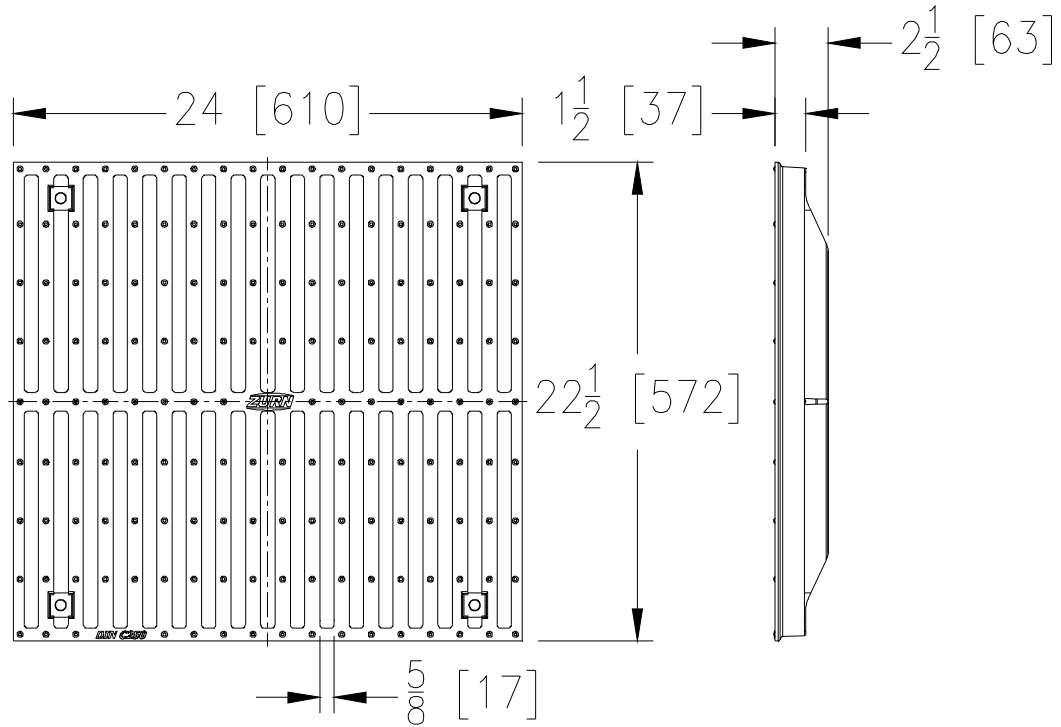


P817-GDC-24X24
24 [610] Wide Slotted Grate

Dimensional Data (inches and [mm]) are Subject to Manufacturing Tolerances and Change Without Notice

[Back to Index](#)

Please Check ✓	Item No.	Part Number	Item I.D.
	5	60332	P817-GDC-24X24



GDC GRATE ENGINEERING SPECIFICATION: The Zurn P817-GDC-24X24 Slotted Grate, Galvanized Ductile Iron, 24 inches wide by 22-1/2 inches long, weighing 95.8 lbs. The grate has an open area of 228.8 square inches, DIN Rating of C, ANSI Rating of Heavy-Duty, and H-20 load rated.

GDC - Slotted Grate	
Material:	Galvanized Ductile Iron
DIN Rating:	Class C
Weight:	95.8 lbs.
Open Area:	228.8 in ²
ANSI Rating:	Heavy-Duty
Application:	Heavy Vehicle + Truck
Slot Width/Hole Size:	5/8
ADA:	No
H-20:	Yes
FAA:	No

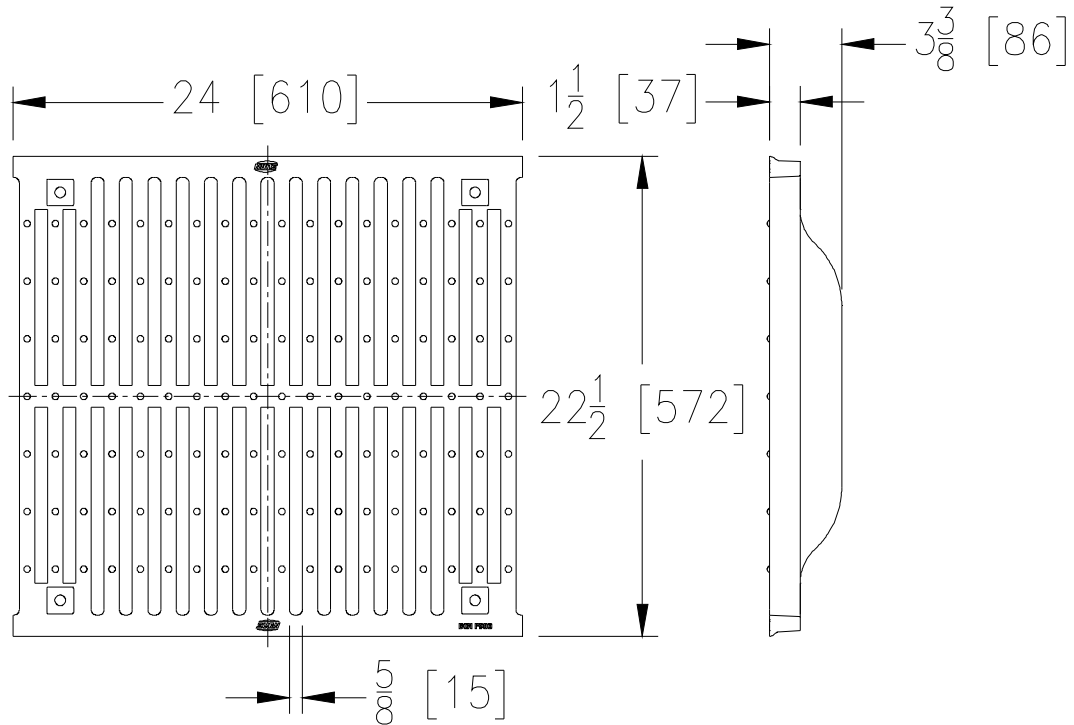


P817-GDF-24X24
24 [610] Wide Slotted Grate

Dimensional Data (inches and [mm]) are Subject to Manufacturing Tolerances and Change Without Notice

[Back to Index](#)

Please Check ✓	Item No.	Part Number	Item I.D.
	6	82310	P817-GDF-24X24



GDF GRATE ENGINEERING SPECIFICATION: The Zurn P817-GDF-24X24 Slotted Grate, Galvanized Ductile Iron, 24 inches wide by 22-1/2 inches long, weighing 115.1 lbs. The grate has an open area of 206.4 square inches, DIN Rating of F, ANSI Rating of Special Duty, H-20 load rated, and FAA load.

GDF - Slotted Grate	
Material:	Galvanized Ductile Iron
DIN Rating:	Class F
Weight:	115.1 lbs.
Open Area:	206.4in ²
ANSI Rating:	Special-Duty
Application:	Dynamic Loads
Slot Width/Hole Size:	5/8
ADA:	No
H-20:	Yes
FAA:	Yes

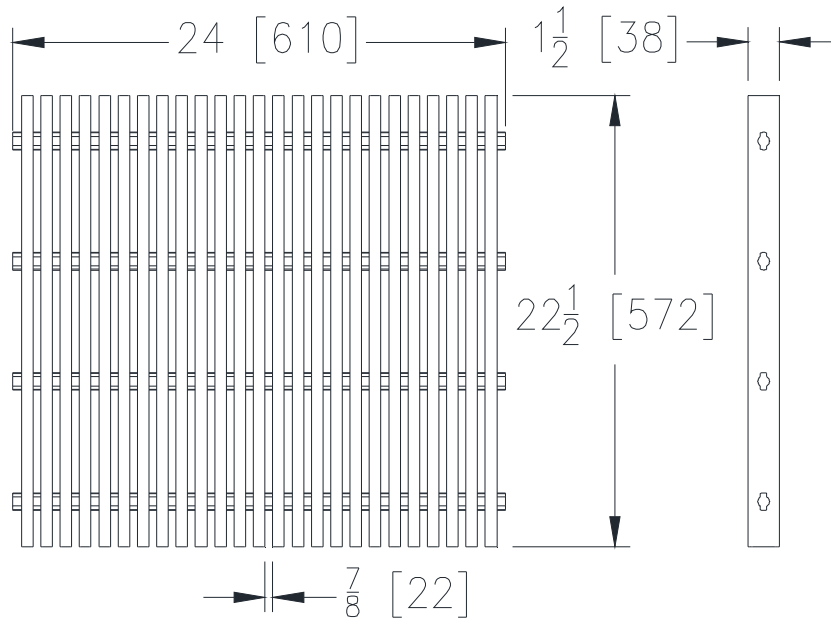


P817-GG-24X24
24 [610] Wide Slotted Grate

Dimensional Data (inches and [mm]) are Subject to Manufacturing Tolerances and Change Without Notice

[Back to Index](#)

Please Check ✓	Item No.	Part Number	Item I.D.
	7	62237	P817-GG-24X24



GG GRATE ENGINEERING SPECIFICATION: The Zurn P817-GG-24X24 Slotted Grate, Fiberglass, 24 inches wide by 22-1/2 inches long, weighing 15.29 lbs. The grate has an open area of 236.25 square inches, DIN Rating of A and ANSI Rating of Light-Duty.

GG - Slotted Grate	
Material:	Fiberglass
DIN Rating:	Class A
Weight:	15.9 lbs.
Open Area:	236.25 in ²
ANSI Rating:	Light-Duty
Application:	Chemical Resistance
Slot Width/Hole Size:	3/8
ADA:	No
H-20:	No
FAA:	No



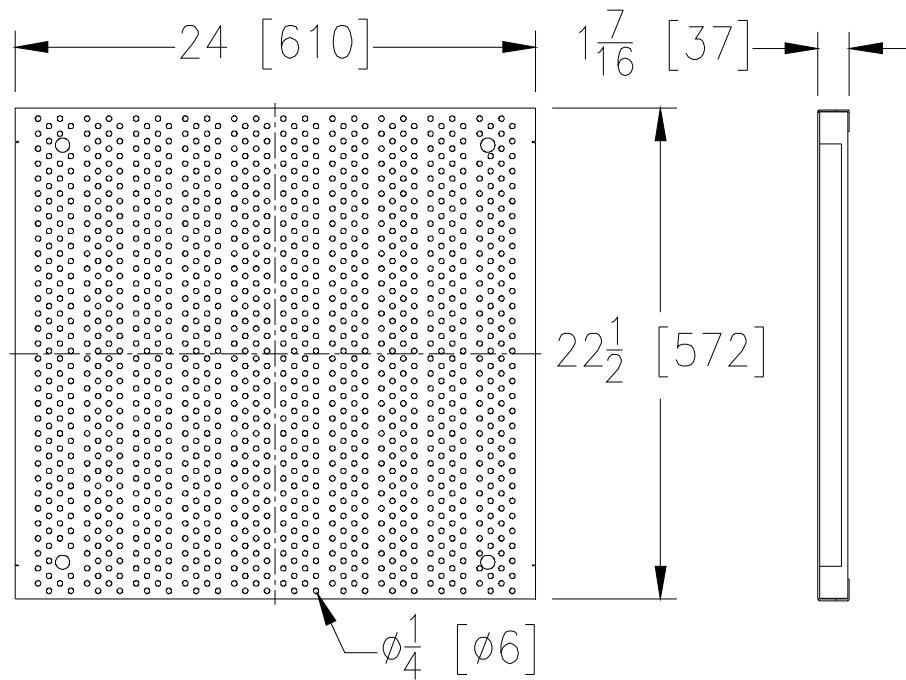
P817-PG-24X24

24 [610] Wide Perforated Grate

Dimensional Data (inches and [mm]) are Subject to Manufacturing Tolerances and Change Without Notice

[Back to Index](#)

Please Check	Item No.	Part Number	Item I.D.
✓	8	61029	P817-PG-24X24



PG GRATE ENGINEERING SPECIFICATION: The Zurn P817-PG-24X24 Perforated Grate, Galvanized Steel, 24 inches wide by 22-1/2 inches long, weighing 46.7 lbs. The grate has an open area of 62.5 square inches, DIN Rating of A, ANSI Rating of Light-Duty, ADA Compliant.

PG - Perforated Grate	
Material:	Galvanized Steel
DIN Rating:	Class A
Weight:	46.7 lbs.
Open Area:	62.5 in ²
ANSI Rating:	Light-Duty
Application:	Decorative Heel-Proof
Slot Width/Hole Size:	1/4
ADA:	Yes
H-20:	No
FAA:	No

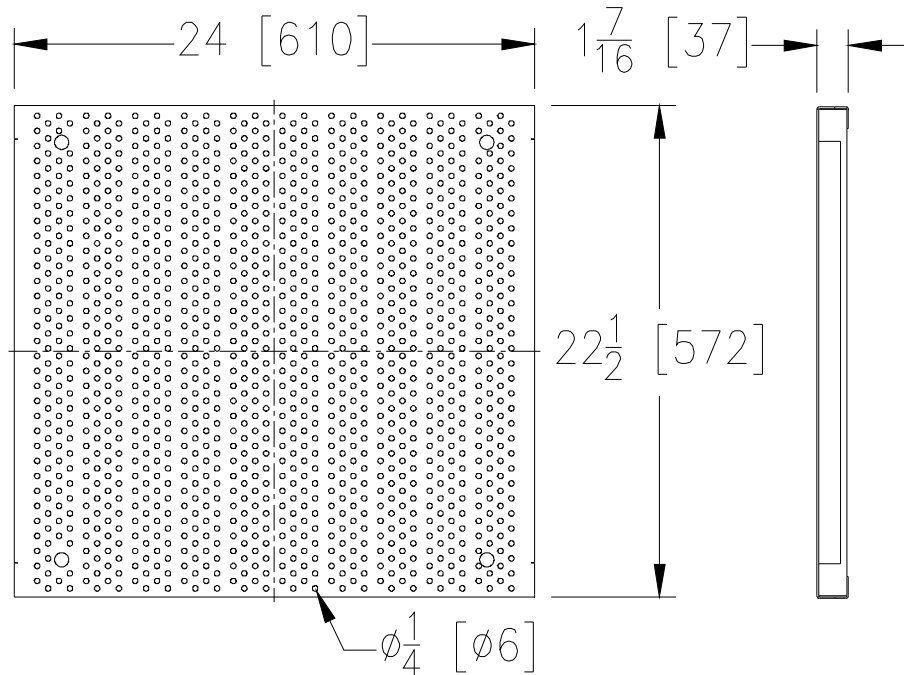


P817-PS-24X24
24 [610] Wide Perforated Grate

Dimensional Data (inches and [mm]) are Subject to Manufacturing Tolerances and Change Without Notice

[Back to Index](#)

Please Check ✓	Item No.	Part Number	Item I.D.
	9	61029	P817-PS-24X24



PS GRATE ENGINEERING SPECIFICATION: The Zurn P817-PS-24X24 Perforated Grate, Stainless Steel, 24 inches wide by 22-1/2 inches long, weighing 48 lbs. The grate has an open area of 62.5 square inches, DIN Rating of A and ANSI Rating of Light-Duty.

PS - Perforated Grate	
Material:	Stainless Steel
DIN Rating:	Class A
Weight:	48 lbs
Open Area:	62.5 in ²
ANSI Rating:	Light-Duty
Application:	Decorative Heel-Proof
Slot Width/Hole Size:	1/4
ADA:	Yes
H-20:	No
FAA:	No

INDEX PAGE for 24" x 24" Wide Grates

 - Click on "Item ID" to go to grate page, 'Back to Index' will return you to this page.

P817-DGC-24X24 Slotted Grate, Ductile Iron
P817-DGF-24X24 Slotted Grate, Ductile Iron
P817-FG-24X24 Fabricated Slotted Grate, Galvanized Steel
P817-FS-24X24 Fabricated Slotted Grate, Stainless Steel
P817-GDC-24X24 Slotted Grate, Galvanized Ductile Iron
P817-GDF-24X24 Slotted Grate, Galvanized Ductile Iron
P817-GG-24X24 Slotted Grate, Fiberglass
P817-PG-24X24 Fabricated Perforated Grate, Galvanized Steel
P817-PS-24X24 Fabricated Perforated Grate, Stainless Steel

Form # FT998 **Date:** 09/26/13 **C.N. No.** 129982 **Rev.** A

ZURN INDUSTRIES, LLC ♦ SPECIFICATION DRAINAGE OPERATION ♦ 1801 Pittsburgh Ave. ♦ Erie, PA 16514

Phone: 814/455-0921 ♦ Fax: 814/454-7929 ♦ World Wide Web: www.zurn.com

In Canada: ZURN INDUSTRIES LIMITED ♦ 3544 Nashua Drive ♦ Mississauga, Ontario L4V1L2 ♦ Phone: 905/405-8272 Fax: 905/405-1292