



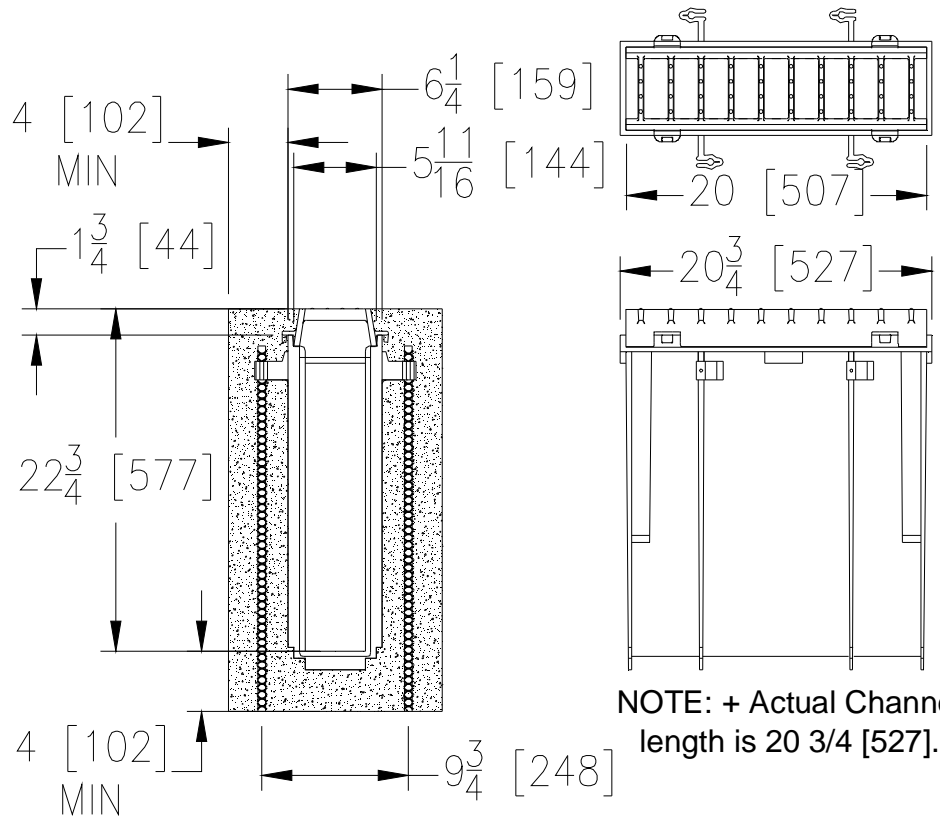
# Z887-6-HDD

SPECIFICATION SHEET

5-11/16 [144] WIDE REVEAL BY 20-3/4 [527] LONG CATCH  
BASIN WITH DOMESTIC DUCTILE IRON GRATE

TAG \_\_\_\_\_

Dimensional Data (inches and [ mm ]) are Subject to Manufacturing Tolerances and Change Without Notice



SPECIFYING ENGINEER IS RESPONSIBLE FOR CONCRETE ENCASEMENT AND REINFORCING BASED UPON APPLICATION AND LOCAL CODES

NOTE: + Actual Channel length is 20 3/4 [527].

**ENGINEERING SPECIFICATION:** Zurn Z887-6-HDD Catch Basin shall be 6-1/4 [159] long, 20 [508] wide reveal and 20 [508] deep. The body shall be made of 0% water absorbent High Density Polyethylene (HDPE). Shall mechanically lock into the concrete surround a minimum of every 10 [254]. Catch basin shall weigh less than 17 bs.[7.7kg] per linear foot. Catch basin shall have rebar clips standard to secure basin in its final location. Shall be provided with standard HDD grates that lock into the concrete surround during installation and is intended for dynamic traffic loadings. Zurn 4.75 [121] wide reveal Highway Domestic Ductile Iron slotted grate conforming to ASTM specification A536-84, Grade 80-55-06. The un-coated ductile iron grate is rated class C per the DIN EN1433 top load classifications. Supplied in 20 [508] nominal lengths with 1-5/8 [41] wide slots, and 2-1/2 [64] bearing depth. Grate has an open area of 39.22 sq. in per ft. [83,016 sq. mm per meter]. System is Made in the USA.

**PREFIX OPTIONS (Check/specify appropriate options)**

\_\_\_ Z 6-inch by 20-inch High Density Polyethylene (HDPE)\*

**SUFFIX OPTIONS (Check/specify appropriate options)**

**Outlet Adapters Add/Each**

|                                   |                                      |
|-----------------------------------|--------------------------------------|
| ___ -E3 3 [76] No-Hub End Outlet  | ___ -U3 3 [76] No-Hub Bottom Outlet  |
| ___ -E4 4 [102] No-Hub End Outlet | ___ -U4 4 [102] No-Hub Bottom Outlet |
| ___ -E6 6 [152] No-Hub End Outlet | ___ -U6 6 [152] No-Hub Bottom Outlet |

**Miscellaneous Options**

\_\_\_ -IA Inlet Adapter -Z886

**MADE in the U.S.A.** (Load Classifications are per DIN EN1433)

|  |
|--|
| ___ -GHDD Galvanized Highway Ductile Domestic Grate - Class C          |
| ___ -HDD Highway Ductile Domestic Grate - Class C *                    |
| ___ -HR Ductile Iron Removable Grate / Frame System -H20/H25 - Class C |

\*REGULARLY FURNISHED UNLESS OTHERWISE SPECIFIED

|                 |                        |                 |
|-----------------|------------------------|-----------------|
| REV.            | DATE: 8/31/10          | C.N. NO. 111642 |
| DWG. NO. 302156 | PRODUCT NO. Z887-6-HDD |                 |