



Z712-HDS

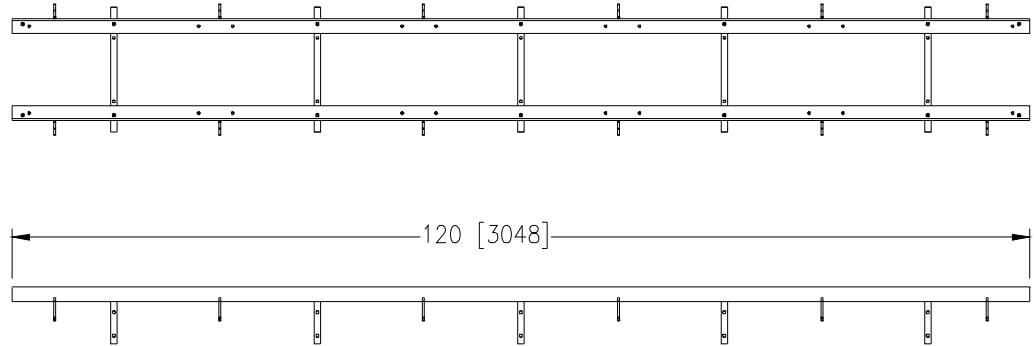
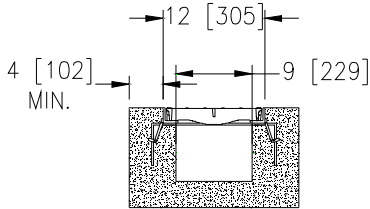
SPECIFICATION SHEET

12 [305] WIDE REVEAL FRAME AND GRATE SYSTEM WITH STAINLESS STEEL FRAME

TAG _____

Dimensional Data (inches and [mm]) are Subject to Manufacturing Tolerances and Change Without Notice

SPECIFYING ENGINEER IS RESPONSIBLE FOR CONCRETE ENCASEMENT AND REINFORCING BASED UPON APPLICATION AND LOCAL CODES



ENGINEERING SPECIFICATION: Zurn Z712-HDS Frame and Grate System shall be 120[3048] long, 12 [305] wide reveal and have a 8.5 [216] clear opening. Shall mechanically lock into the concrete surround every 12 [305]. Shall be provided with the standard RFS grates that lock down to the frame. Zurn 12 [305] wide reveal Stainless Steel Reinforced Slotted Grate conforming to ASTM specification A351, Grade CF8 (type 304), Fabricated grate is rated class B per the DIN EN1433 top load classification. Supplied in 24 [608] nominal lengths with 0.375 [10] wide slots, 1.5 [38] bearing depth. Grate has an open area of 25.61 sq. in. per ft [54207 sq. mm per meter]. Tie down recesses provided for securing option. The 0.25 [6] thick Stainless Steel Frame Assembly conforms to ASTM specification A-240 (type 304) with 12 - 4 [102] long concrete anchors per 120 [3048]. Grate lockdown bars are integral to the frame. All welds must be performed by a certified welder per ASTM standard AWS D1.6. Frames Shall be produced in the USA.

PREFIX OPTIONS (Check/specify appropriate options)

Z Ten-foot Heavy Duty Stainless Steel Frame *

SUFFIX OPTIONS (Check/specify appropriate options)

Grate Options (Load Classifications are per DIN EN1433)

- DC Ductile Iron Solid Cover - Class C
- DGC Ductile Iron Slotted Grate - Class C
- DGE Ductile Iron Slotted Grate - Class E
- DGF Ductile Iron Slotted Grate - Class F
- GG Fiberglass Grate - Class A
- HPD Heel-Proof Ductile Slotted Grate - Class C

Miscellaneous Options

- RC Rebar Clip (Set of 2)
- VP Vandal-Proof Lockdown

MADE in the U.S.A.

- ADA-USA Meets Americans with Disabilities Act Requirements - Class C
- DGC-USA Ductile Iron Slotted Grate - Class C
- DGE-USA Ductile Iron Slotted Grate - Class E
- FS Fabricated Stainless Steel Slotted Grate - Class A
- PS Perforated Stainless Steel Grate - Class A
- RFS Reinforced Stainless Steel Slotted Grate - Class B *
- RPS Reinforced Stainless Steel Perforated Grate - Class B
- SBG-L Stainless Steel Bar Grate - Class C

REV. C DATE: 08/31/11 C.N. NO. 122022

DWG. NO. 303230 PRODUCT NO. Z712-HDS

*REGULARLY FURNISHED UNLESS OTHERWISE SPECIFIED

ZURN INDUSTRIES, LLC ♦ SPECIFICATION DRAINAGE OPERATION ♦ 1801 Pittsburgh Ave. ♦ Erie, PA 16514

Phone: 814/455-0921 ♦ Fax: 814/454-7929 ♦ World Wide Web: www.zurn.com

In Canada: ZURN INDUSTRIES LIMITED ♦ 3544 Nashua Drive ♦ Mississauga, Ontario L4V1L2 ♦ Phone: 905/405-8272 Fax: 905/405-1292