



Z5551-K

EcoVantage® High Performance, 1.6 GPF, ADA, Elongated, Siphon Jet Toilet

TAG _____

Architectural/Engineering Specification:

Vitreous china, two piece, 1.6 gpf low consumption, high performance siphon-jet toilet with 3" flush valve, elongated 16 23/32" ADA compliant rim and 12" standard rough-in.

Product Features:

- 1.6 gpf (gallons per flush)
- Vitreous china
- 3" Flush valve for powerful flushing
- Chrome plated metal handle
- Elongated front rim
- ZURN-HPT High performance siphon-jet design
- ADA Height
- Extra large foot print for easy retro-fit
- 2 1/8" Fully glazed trapway
- Chloramine resistant internal components
- Maximum performance (MaP) score of 1000g
- Concealed sanitary bar
- 2 1/2" Trap seal
- Water surface 9" x 11"
- Includes bolt caps
- Shipping weight: 92 lbs.

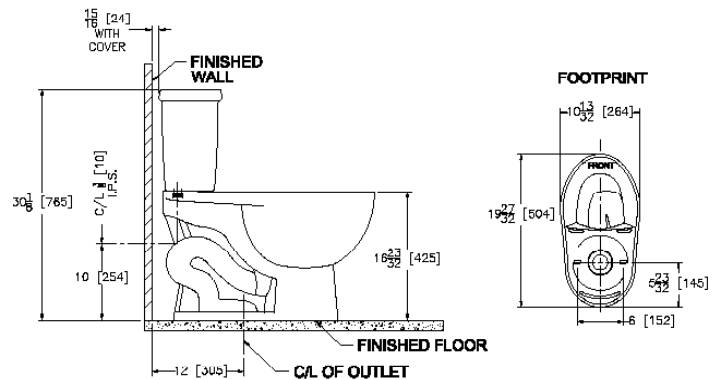
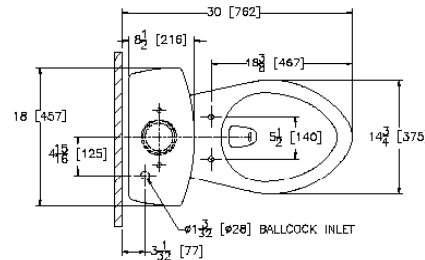


Recommended Trim:

- Z5958SS-EL
Elongated, white, closed front toilet seat with cover & stainless steel check hinge.
- Z5972-COMB
Closet bolt/wax ring kit.
- Z8800-CR
Standard stop with flexible closet riser.

Optional Trim:

- Z5975-FLO-JR PVC Flo-Bowl Jr. closet flange kit



Rough-in/Overview dimensions for Z5551 Series

See Zurn One Systems for suggested packages.

Architectural/Engineering Approval

The information contained in this document is subject to change without notice. Please contact Zurn for most up to date information.

Compliance and Certification:

- ADA Compliant

Meets the American Disabilities Guidelines and ANSI A117.1 requirements when installed according to these requirements. Fixture dimensions meet ANSI/ASME standard A112.19.2 and CAN/CSA B45 requirements.

In Canada - Consult local codes and standards.

