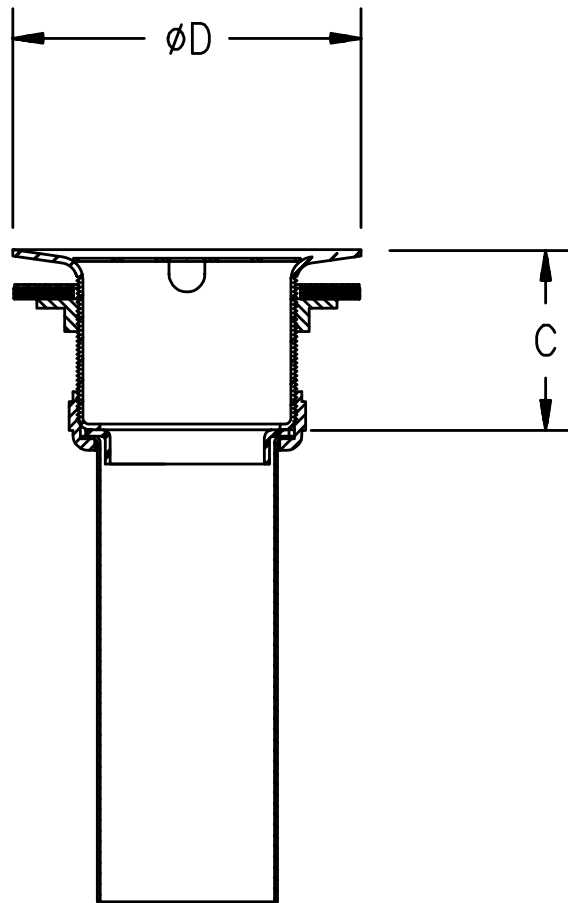




Z8737

FLAT GRID SINK STRAINER

Dimensional Data (inches and [mm]) are Subject to Manufacturing Tolerances and Change Without Notice



Engineering Specification: Zurn Z8737 - Chrome-plated wrought brass sink strainer with 1 1/2[38] x 4[102] 20 gauge tailpiece and cast-brass lock nut and coupling nut for sink depth up to 3/4[19].

PRODUCT NUMBER	DIMENSIONS		MASTER CARTON	WEIGHT CARTON
	C	$\varnothing D$		
Z8737	1 3/4[44]	2 15/16[75]	24	20

REV. A	DATE: 10/18/01	C.N. NO. 79048	
DWG. NO. 57958	PRODUCT NO. Z8737		

*REGULARLY FURNISHED UNLESS OTHERWISE SPECIFIED