



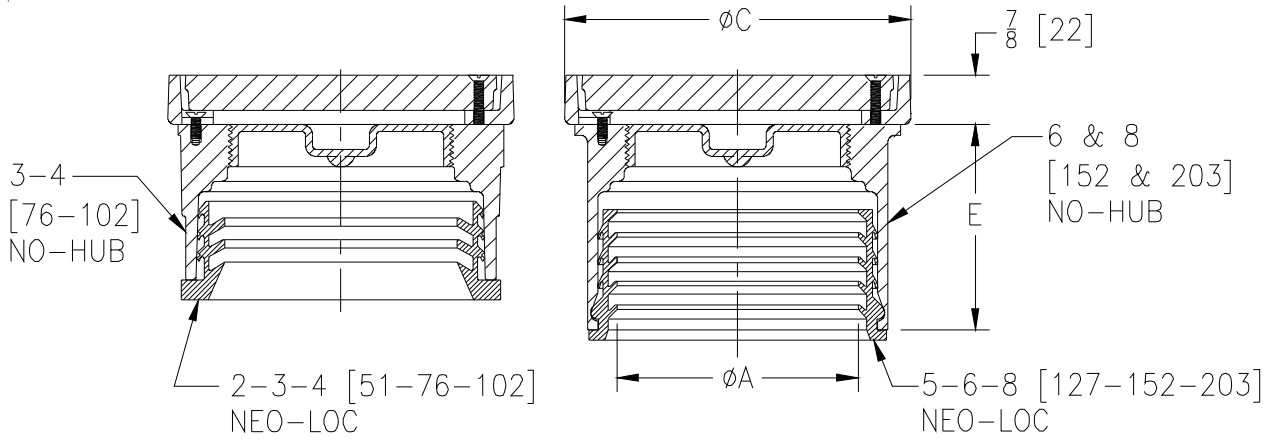
Z1402

HEAVY-DUTY NON-ADJUSTABLE FLOOR CLEANOUT

SPECIFICATION SHEET

TAG _____

Dimensional Data (inches and [mm]) are Subject to Manufacturing Tolerances and Change Without Notice



Dimensions In Inches[mm]				Approx. Wt. Lbs. [kg]
A-Pipe Size		C	E	
NL	NH			
2 [51]	3 [76]	4-1/8 [105]	2-3/4 [70]	5 [2]
3 [76]	4 [120]	5-1/8 [130]	2-3/4 [70]	8 [4]
4 [102]	---	6-1/8 [156]	2-3/4 [70]	10 [5]
5 [127]	6 [152]	7-1/4 [184]	3-5/8 [92]	15 [7]
6 [152]	---	8-1/4 [210]	3-5/8 [92]	17 [8]
8 [203]	8 [203]	9-1/4 [235]	3-5/8 [92]	22 [10]

ENGINEERING SPECIFICATION: ZURN Z1402

Tuf-Top non-adjustable floor cleanout with Dura-Coated cast iron body, with gas and watertight ABS tapered thread plug, and round scoriated cast iron heavy-duty secured cover and frame.

OPTIONS (Check/specify appropriate options)

PIPE SIZE

3, 4, 5, 6, 8 [76, 102, 127, 152, 203]

2, 3, 4, 5, 6, 8 [51, 76, 102, 127, 152, 203]

(Specify size/type) **OUTLET**

___ NH No-Hub

___ NL Neo-Loc

'E' BODY HT. DIM.

See Chart

See Chart

PREFIXES

- ___ Z Dura-Coated Cast Iron*
- ___ ZB D.C.C.I. with Polished Bronze Light-Duty Top (Deduct 1/2 [13] from 7/8 [22] Dim.)
- ___ ZN D.C.C.I. with Polished Nickel Bronze Light-Duty Top (Deduct 1/2 [13] from 7/8 [22] Dim.)
- ___ ZS D.C.C.I. with Polished Stainless Steel Heavy-Duty Top (Add 3/16 [5] to 7/8 [22] Dim.)

SUFFIXES

- ___ -BP Bronze Plug
- ___ -CM Carpet Marker
- ___ -DX Round ZB or ZN Top with Dex-o-Tex Flange (2,3,4,5 [51,76,102,127] only)
- ___ -G Galvanized Cast Iron
- ___ -HD Heavy-Duty Veneer Top (Add 1/8 [3] to 7/8 [22] Dim. for (ZB and ZN only)
- ___ -TC Neo-Loc Test Cap Gasket (2,3,4 [51,76,102] NL Bottom Outlet Only)
- ___ -T Square Top
- ___ -VP Vandal-Proof Screws

* Regularly furnished unless otherwise specified.