



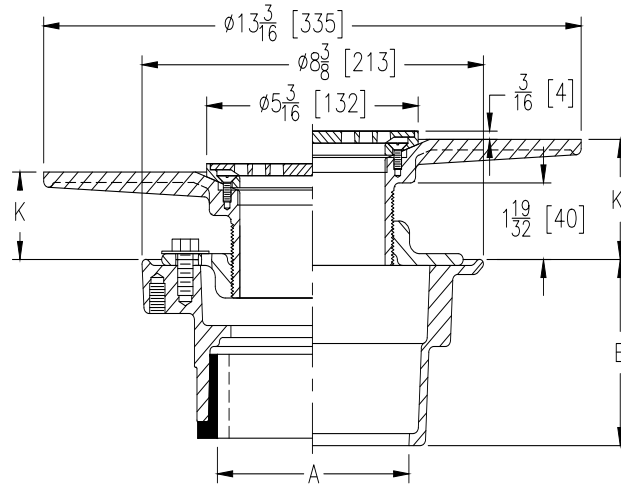
# Z415BL

## BODY ASSEMBLY W/ "TYPE BL" STRAINER

SPECIFICATION SHEET

TAG \_\_\_\_\_

Dimensional Data (inches and [ mm ]) are Subject to Manufacturing Tolerances and Change Without Notice



Strainer Designated	Dimensions in Inches [mm]					Approx. Wt. Lbs. [kg]	Strainer Open Area Sq. In. [cm <sup>2</sup> ]
	A - Pipe Size	K		K'			
		Min.	Max.	Min.	Max.		
-5BL	2,3,4,6 [51,76,102,152]	7/8 [22]	2-1/4 [57]	1-11/16 [43]	3 [76]	14 [6]	6-1/4 [40]

**ENGINEERING SPECIFICATION: ZURN ZN415BL**

Floor and shower drain, Dura-Coated cast iron body with bottom outlet, combination invertible membrane clamp and adjustable collar with seepage slots and "TYPE BL" D.C.C.I. wide flanged head and polished nickel bronze, light-duty strainer.

**OPTIONS** (Check/specify appropriate options)

PIPE SIZE	(Specify size/type)	OUTLET	'E' BODY HT. DIM.
2, 3, 4 [51, 76, 102]	___ IC	Inside Caulk	3-7/8 [98]
2 [51]	___ IP	Threaded	2-3/8 [60]
3 [76]	___ IP	Threaded	2-5/8 [67]
4 [102]	___ IP	Threaded	2-7/8 [73]
6 [152]	___ IP	Threaded	2-3/4 [70]
2,3,4 [51,76,102]	___ NH	No-Hub	3-7/8 [98]
2,3,4 [51,76,102]	___ NL	Neo-Loc	3-3/4 [95]

**PREFIXES**

- \_\_\_ ZB D.C.C.I. Body Assembly w/ Polished Bronze Top
- \_\_\_ ZN D.C.C.I. Body Assembly w/ Polished Nickel Bronze Top\*

**SUFFIXES**

- |   |  |
|---|--|
| ___ -AR Acid Resisting Epoxy Coated Cast Iron                             | ___ -SA Stabilizer Assembly (See Z1035)                              |
| ___ -CP Chrome-Plated Bronze Top  | ___ -U 1 thru 3 [25 thru 76] High Extension Adapter                  |
| ___ -G Galvanized Cast Iron   | ___ -VP Vandal-Proof Secured Top                                     |
| ___ -P Trap Primer Connection (Specify 1/2 [13] or 3/4 [19])              | ___ -Y Sediment Bucket   |
| ___ -PC Protective Cover  | ___ -90 90° Threaded Side Outlet Body Assembly (2 [51], 3 [76] Only) |
| ___ -TC Neo-loc Test Cap Gasket (2,3,4 [51,76,102] NL Bottom Outlet Only) |  |

\* Regularly furnished unless otherwise specified.

- ⚠ **WARNING:** Cancer and Reproductive Harm - [www.P65Warnings.ca.gov](http://www.P65Warnings.ca.gov)
- ⚠ **ADVERTENCIA:** Cáncer y daño reproductivo - [www.P65Warnings.ca.gov](http://www.P65Warnings.ca.gov)
- ⚠ **AVERTISSEMENT:** Cancer et effets néfastes sur la reproduction - [www.P65Warnings.ca.gov](http://www.P65Warnings.ca.gov)

Zurn Industries, LLC | Specification Drainage Operation  
1801 Pittsburgh Avenue, Erie, PA USA 16502, Ph. 855.663.9876

In Canada | Zurn Industries Limited  
7900 Goreway Drive, Unit 10, Brampton, Ontario L6T 5W6, Ph. 877.892.5216

[www.zurn.com](http://www.zurn.com)

Rev. P  
Date: 01/03/23  
C.N. No. 144898  
Patent [zurn.com/patents](http://zurn.com/patents)  
Prod. | Dwg. No. Z415BL