



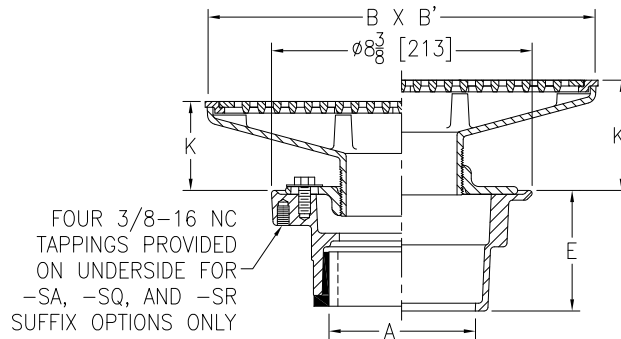
# Z415J

## BODY ASSEMBLY W/ "TYPE J" STRAINER

SPECIFICATION SHEET

TAG \_\_\_\_\_

Design and Dimensional Data (inches and [ mm ]) are Subject to Manufacturing Tolerances and Change Without Notice



Dimension in Inches [mm]						Approx. Wt. Lbs. [kg]	Strainer Open Area Sq. In. [cm <sup>2</sup> ]
A - Pipe Size	B x B' Strainer Size	K		K'			
		Min.	Max.	Min.	Max.		
2,3,4 [51,76,102]	4-1/2 x 8 [114 x 203]	1-3/8 [35]	2-5/8 [67]	2-1/8 [54]	3-3/8 [86]	13 [6]	12 [72]
2,3,4 [51,76,102]	5 x 9 [127 x 229]	1-5/8 [41]	2-13/16 [71]	2-3/8 [60]	3-5/8 [92]	14 [6]	15 [97]
3,4 [76,102]	5-1/2 x 13 [140 x 330]	2-3/32 [51]	3-5/16 [84]	2-13/16 [71]	4 [102]	18 [8]	20 [129]
3,4 [76,102]	5 x 17 [127 x 432]	2-1/4 [57]	3-5/16 [84]	2-13/16 [71]	4 [102]	23 [10]	29 [187]
3,4 [76,102]	5 x 21 [127 x 533]	2-5/16 [59]	3-5/16 [84]	2-13/16 [71]	4 [102]	27 [12]	32 [206]
6 [152]	10 x 20 [254 x 508]	2-5/16 [59]	3-1/4 [83]	2-7/8 [73]	4 [102]	45 [20]	66 [426]

### ENGINEERING SPECIFICATION: ZURN ZN415J

Floor and shower drain, Dura-Coated cast iron body with bottom outlet, combination invertible membrane clamp and adjustable collar with seepage slots and "TYPE J" polished, nickel bronze rectangular, light-duty, heel-proof strainer.

### OPTIONS (Check/specify appropriate options)

PIPE SIZE	(Specify size/type)	OUTLET	'E' BODY HT. DIM.
2,3,4 [51,76,102]	___ IC	Inside Caulk	4-3/16 [106]
2 [51]	___ IP	Threaded	2-7/16 [62]
3 [76]	___ IP	Threaded	2-3/4 [70]
4 [102]	___ IP	Threaded	2-13/16 [71]
6 [152]	___ IP	Threaded	2-7/8 [73]
2,3,4 [51,76,102]	___ NH	No-Hub	3-13/16 [97]
2,3,4 [51,76,102]	___ NL	Neo-Loc	3-7/8 [98]

### PREFIXES

- \_\_\_ ZB D.C.C.I. Body Assembly w/ Polished Bronze Top
- \_\_\_ ZN D.C.C.I. Body Assembly w/ Polished Nickel Bronze Top\*

### SUFFIXES

- |   |   |
|---|---|
| ___ -AR Acid Resisting Epoxy Coated Cast Iron                             | ___ -U 1-3 [25-76] High Extension Adapter                         |
| ___ -G Galvanized Cast Iron   | ___ -V Backwater Valve  |
| ___ -P Trap Primer Connection (Specify 1/2 [13] or 3/4 [19])              | ___ -VP Vandal-Proof Secured Top                                  |
| ___ -SA Stabilizer Assembly (See Z1035)                                   | ___ -Y Sediment Bucket  |
| ___ -SQ Stabilizer Q-Deck (See Z1035-Q)                                   | ___ -90 90° Threaded Side Outlet Body Assembly (2,3 [51,76] Only) |
| ___ -SR Stabilizer Ring   |   |
| ___ -TC Neo-loc Test Cap Gasket (2,3,4 [51,76,102] NL Bottom Outlet Only) |   |

\* Regularly furnished unless otherwise specified.

**⚠ WARNING:** Cancer and Reproductive Harm - [www.P65Warnings.ca.gov](http://www.P65Warnings.ca.gov)

**⚠ ADVERTENCIA:** Cáncer y daño reproductivo - [www.P65Warnings.ca.gov](http://www.P65Warnings.ca.gov)

**⚠ AVERTISSEMENT:** Cancer et effets néfastes sur la reproduction - [www.P65Warnings.ca.gov](http://www.P65Warnings.ca.gov)

Zurn Industries, LLC | Specification Drainage Operation  
1801 Pittsburgh Avenue, Erie, PA USA 16502, Ph. 855.663.9876

In Canada | Zurn Industries Limited  
7900 Goreway Drive, Unit 10, Brampton, Ontario L6T 5W6, Ph. 877.892.5216

[www.zurn.com](http://www.zurn.com)

Rev. M  
Date: 01/05/23  
C.N. No. 144898  
Patent [zurn.com/patents](http://zurn.com/patents)  
Prod. | Dwg. No. Z415J