



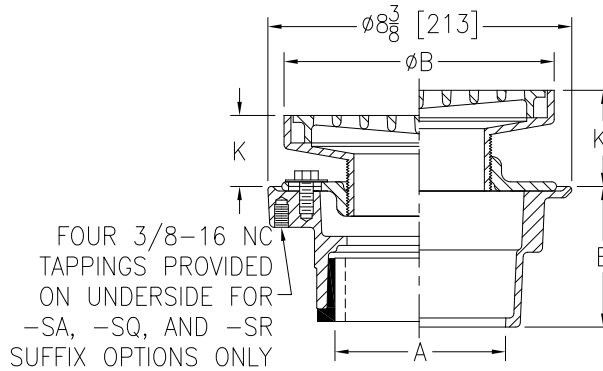
Z415N

BODY ASSEMBLY W/ "TYPE N" STRAINER

SPECIFICATION SHEET

TAG _____

Design and Dimensional Data (inches and [mm]) are Subject to Manufacturing Tolerances and Change Without Notice



Dimension in Inches [mm]						Approx. Wt. Lbs. [kg]	Strainer Open Area Sq. In. [cm2]
A - Pipe Size	B Strainer Dia.	K		K'			
		Min.	Max.	Min.	Max.		
2,3,4 [51,76,102]	7 [178]	1-9/16 [40]	2-3/8 [60]	1-7/8 [48]	3-1/8 [79]	17 [8]	12 [77]
2,3,4 [51,76,102]	9 [229]	1-11/16 [43]	2-5/8 [67]	2 3/16 [56]	3-3/8 [86]	21 [10]	23 [148]
6 [152]	9 [229]	1-11/16 [43]	2-5/8 [67]	2 3/16 [56]	3-3/8 [86]	23 [10]	23 [148]

ENGINEERING SPECIFICATION: ZURN ZN415N

Floor and shower drain, Dura-Coated cast iron body with bottom outlet, combination invertible membrane clamp and adjustable collar with seepage slots and "TYPE N" D.C.C.I. light-duty strainer with deep flanged grate.

OPTIONS (Check/specify appropriate options)

PIPE SIZE	(Specify size/type)	OUTLET	'E' BODY HT. DIM.
2 [51]	___ IP	Threaded	2-7/16 [62]
3 [76]	___ IP	Threaded	2-3/4 [70]
4 [102]	___ IP	Threaded	2-13/16 [71]
6 [152]	___ IP	Threaded	2-7/8 [73]
2,3,4 [51,76,102]	___ NH	No-Hub	3-13/16 [97]
2,3,4 [51,76,102]	___ NL	Neo-Loc	3-7/8 [98]

PREFIXES

- ___ Z D.C.C.I. Body Assembly w/ Dura-Coated Top*
- ___ ZB D.C.C.I. Body Assembly w/ Polished Bronze Top
- ___ ZN D.C.C.I. Body Assembly w/ Polished Nickel Bronze Top

SUFFIXES

- ___ -AR Acid Resisting Epoxy Coated Cast Iron
- ___ -DG Duresist Grate
- ___ -G Galvanized Cast Iron
- ___ -P Trap Primer Connection (Specify 1/2 [13] or 3/4 [19])
- ___ -SA Stabilizer Assembly (See Z1035)
- ___ -SQ Stabilizer Q-Deck (See Z1035-Q)
- ___ -SR Stabilizer Ring
- ___ -TC Neo-loc Test Cap Gasket (2,3,4 [51,76,102] NL Bottom Outlet Only)
- ___ -TS Top Secured with Slotted Screws
- ___ -U 1-3 [25-76] High Extension Adapter
- ___ -V Backwater Valve
- ___ -VP Vandal-Proof Secured Top
- ___ -Y Sediment Bucket
- ___ -90 90° Threaded Side Outlet Body Assembly (2,3 [51,76] Only)

* Regularly furnished unless otherwise specified.

⚠ WARNING: Cancer and Reproductive Harm - www.P65Warnings.ca.gov

⚠ ADVERTENCIA: Cáncer y daño reproductivo - www.P65Warnings.ca.gov

⚠ AVERTISSEMENT: Cancer et effets néfastes sur la reproduction - www.P65Warnings.ca.gov

Zurn Industries, LLC | Specification Drainage Operation
1801 Pittsburgh Avenue, Erie, PA USA 16502, Ph. 855.663.9876

In Canada | Zurn Industries Limited
7900 Goreway Drive, Unit 10, Brampton, Ontario L6T 5W6, Ph. 877.892.5216

www.zurn.com

Rev. L
Date: 12/29/22
C.N. No. 144898
Patent zurn.com/patents
Prod. | Dwg. No. Z415N