

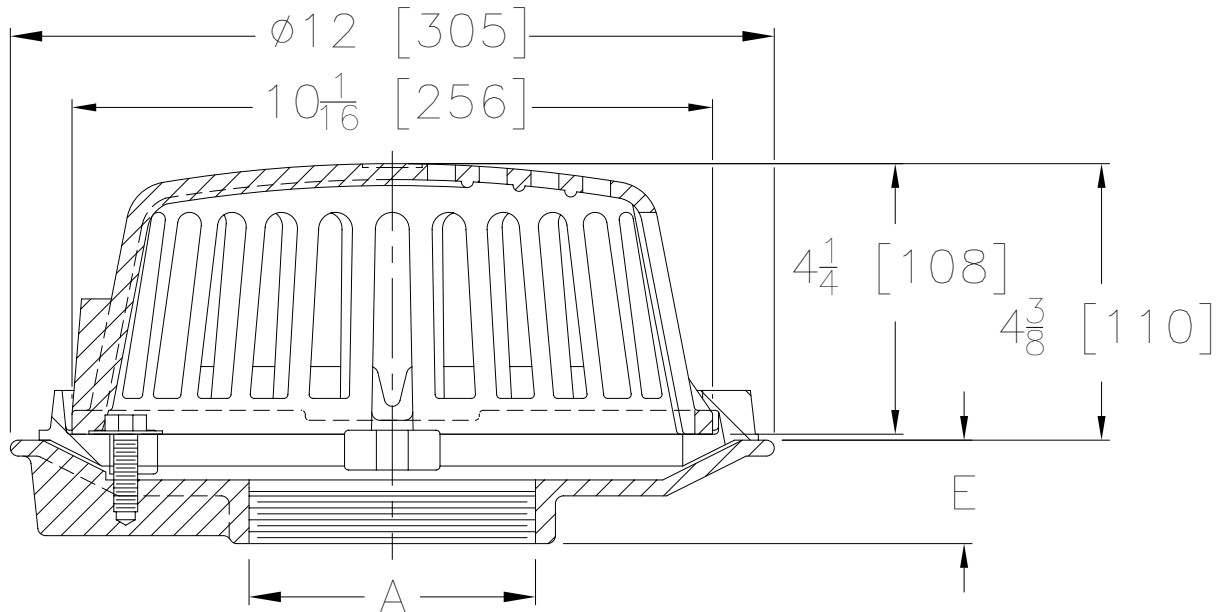


Z111
 12 [305] DIAMETER FLAT DECK ROOF DRAIN FOR
 METAL DECKS

SPECIFICATION SHEET

TAG _____

Design and Dimensional Data (inches and [mm]) are Subject to Manufacturing Tolerances and Change Without Notice



A-Pipe Size In [mm]	Approx. Wt. Lbs. [kg]	Dome Open Area Sq. In. [cm ²]
3, 4 [76, 102]	22 [10]	78 [503]
6 [152]	24 [11]	

ENGINEERING SPECIFICATION: ZURN Z111

12" [305mm] Diameter Flat Deck roof drain for metal decks, Dura-Coated cast iron body with combination membrane flashing clamp/gravel guard and low silhouette cast iron dome.

OPTIONS (Check/specify appropriate options)

PIPE SIZE

3 [176]
 4 [102]
 6 [152]

(Specify size/type) **OUTLET**

___ IP** Threaded
 ___ IP Threaded
 ___ IP Threaded

E BODY HT. DIM.

1-3/4[44]
 1-5/8[41]
 1-7/8[48]

PREFIXES

___ Z D.C.C.I. Body with Dome (4-1/4 [108] Dome height)*

SUFFIXES

___ -C Underdeck Clamp
 ___ -FG Flush Grate (Z Only)
 ___ -G Galvanized Cast Iron
 ___ -R Roof Sump Receiver
 ___ -SS Stainless Steel Mesh Screen Over Dome
 ___ -VP Vandal Proof Secured Top

* Regularly furnished unless otherwise specified

** 3IP OFFERING USES 4" BODY WITH 4x3 Z1033 THREADED ADAPTER

⚠ WARNING: Cancer and Reproductive Harm - www.P65Warnings.ca.gov

⚠ ADVERTENCIA: Cáncer y daño reproductivo - www.P65Warnings.ca.gov

⚠ AVERTISSEMENT: Cancer et effets néfastes sur la reproduction - www.P65Warnings.ca.gov

Zurn Industries, LLC | Specification Drainage Operation
 1801 Pittsburgh Avenue, Erie, PA 16502, Ph. 855.663.9876

In Canada | Zurn Industries Limited
 7900 Goreway Drive, Unit 10, Brampton, Ontario L6T 5W6, Ph. 877.892.5216

www.zurn.com

Rev. G
 Date: 06/12/24
 C.N. No. 146121
 Prod. | Dwg. No. Z111