

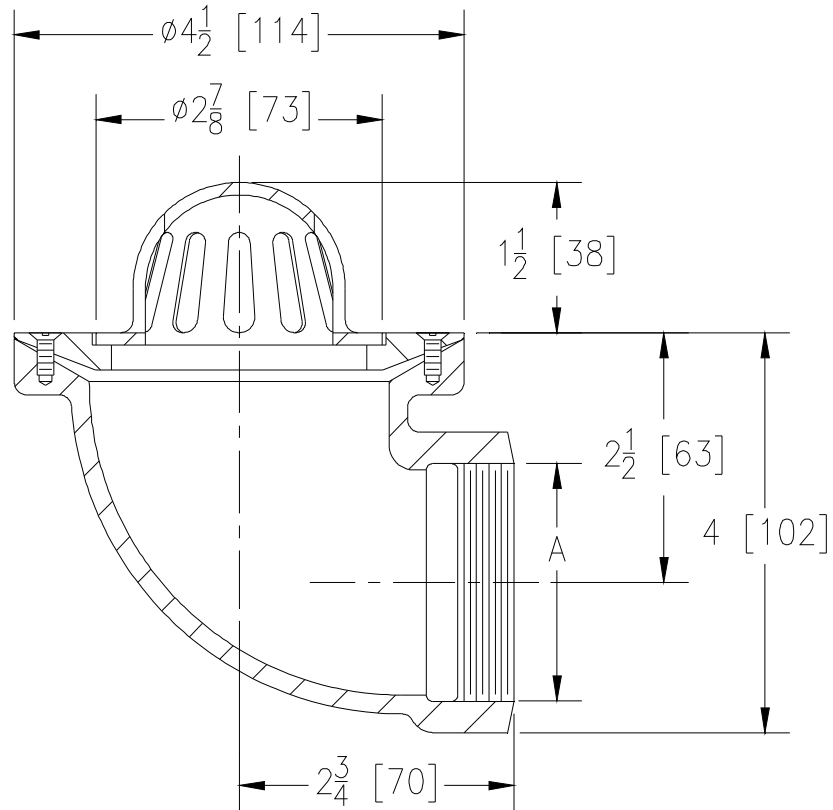


Z182
4-1/2 [114] DIAMETER CORNICE DRAIN
90° OUTLET

SPECIFICATION SHEET

TAG _____

Dimensional Data (inches and [mm]) are Subject to Manufacturing Tolerances and Change Without Notice



A- Pipe Size In. [mm]	Approx. Wt. Lbs. [kg]	Dome Open Area Sq. In. [cm ²]
2 [51]	5 [2]	4.5 [29]

ENGINEERING SPECIFICATION: ZURN ZRB182
 4-1/2" [114mm] Diameter cornice drain, Dura-Coated cast iron 90° side outlet body, plain bronze dome and membrane flashing clamp.

OPTIONS (Check/specify appropriate options)

PIPE SIZE (Specify size/type) **OUTLET**
 2 [51] _____ IP Threaded

PREFIXES

- _____ ZRB D.C.C.I. Body with Plain Bronze Dome*
- _____ ZN D.C.C.I. Body with Polished Nickel Bronze Dome

SUFFIXES

- _____ -FS Flat Strainer (ZN)
- _____ -G Galvanized Cast Iron
- _____ -VP Vandal Proof Secured Top

* Regularly furnished unless otherwise specified.