



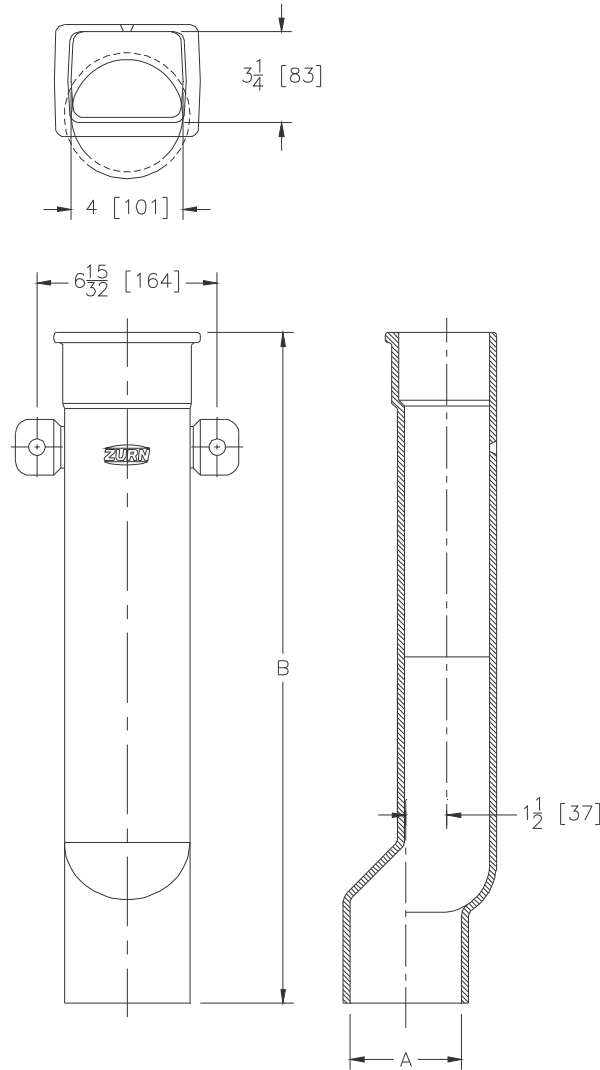
Z192

4 X 3 [102 X 76] DOWNSPOUT BOOT

SPECIFICATION SHEET

TAG _____

Dimensional Data (inches and [mm]) are Subject to Manufacturing Tolerances and Change Without Notice



Dimensions In Inches			Approx. Wt. Lbs. [kg]
Size	A Pipe Size	B	
4 x 3 x 12 [102 x 76 x 305]	4 [102]	12 [305]	14 [6]
4 x 3 x 18 [102 x 76 x 457]		18 [457]	20 [9]
4 x 3 x 24 [102 x 76 x 610]		24 [610]	27 [12]

ENGINEERING SPECIFICATION ZURN Z192

4 x 3 [102 x 76] Downspout Boot, Dura-Coated cast iron body and strap with 1/4 [6] dia. cast holes for flat head bolts.

OPTIONS (Check/specify appropriate options)

PIPE SIZE

4 [102]

(Specify size/type) **OUTLET**

___ NH No-Hub

PREFIXES

___ Z D.C.C.I. Body*

SUFFIXES

___ -CA Cleanout Access with Plug
___ -G Galvanized Cast Iron

* Regularly furnished unless otherwise specified.