



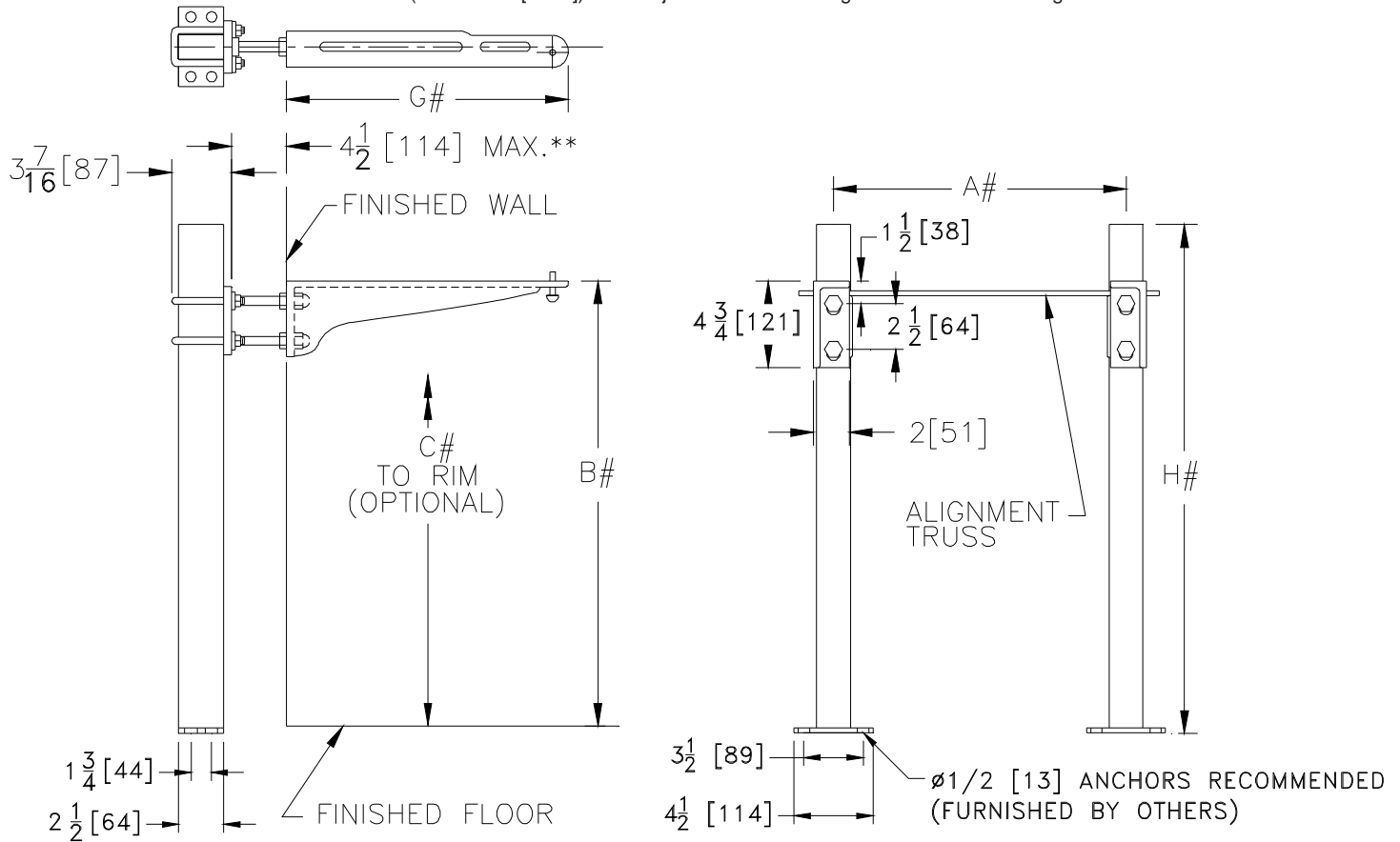
# Z1236

## EXPOSED ARM SYSTEM FOR WALL LAVATORIES/SINKS

SPECIFICATION SHEET

TAG \_\_\_\_\_

Dimensional Data (inches and [ mm ]) are Subject to Manufacturing Tolerances and Change Without Notice



**NOTES:**

- #REFER TO ROUGH-IN GUIDE OF SPECIFIC FIXTURE FOR DIMENSION
- \*\* WITH STANDARD STUD LENGTH OF 6 [152].

Product No.	Approx. Wt. Lbs. [kg]
Z1236	60 [27]

**ENGINEERING SPECIFICATION: ZURN Z1236**

Lavatory support system with exposed arms. Complete with Dura-Coated rectangular steel uprights with welded feet, cast iron adjustable headers, acid resistant epoxy coated cast iron arms, alignment truss, and mounting fasteners.

**OPTIONS** (Check/specify appropriate options)

**PREFIXES**

\_\_\_ Z Dura-Coated System with A.R.C. Exposed Arms\*

**SUFFIXES**

- \_\_\_ -AL Adapter Lug
- \_\_\_ -D Back to Back System
- \_\_\_ -WS Wall Support Valve Plate (Specify Knee or Foot action, Valve Name, and Number)

\* Regularly furnished unless otherwise specified.