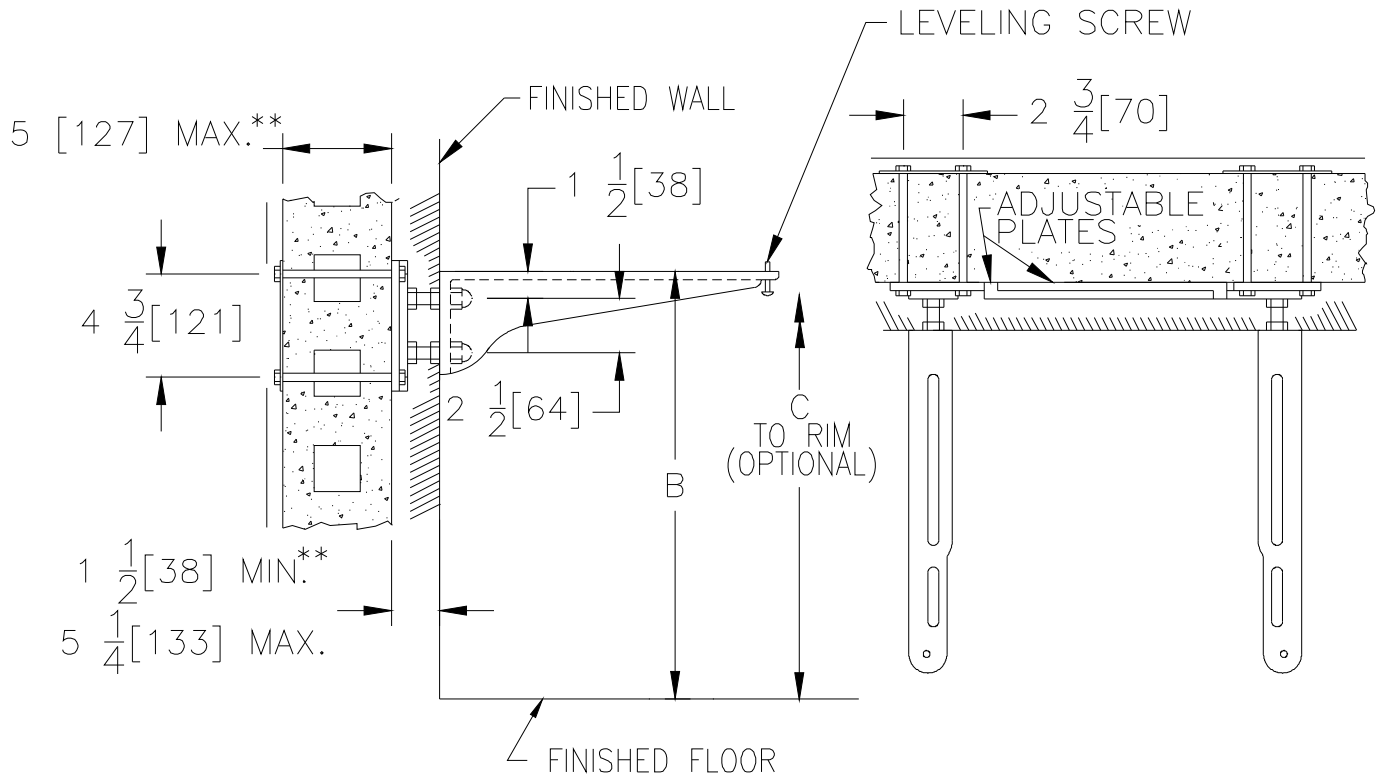




Z1255

EXPOSED ARM SYSTEM WALL SUPPORTED

Dimensional Data (inches and [mm]) are Subject to Manufacturing Tolerances and Change Without Notice



** WITH STANDARD STUD LENGTH OF 6 [152]

| Product No. | Approx. Wt. Lbs. [kg] |
|-------------|-----------------------|
| Z1255 | 25 [11] |

ENGINEERING SPECIFICATION: ZURN Z1255 Lavatory support with exposed arms. Complete with adjustable Dura-Coated support plates, acid resistant epoxy coated cast iron exposed arms, and mounting fasteners.

Note: Dimensional data for letter dimensions depends upon fixture type and manufacturer. See Zurn Carrier/Fixture Rough-In information at www.zurn.com for specific rough-in dimensions

OPTIONS (Check/specify appropriate options)

PREFIXES

___ Z Dura-Coated System with A.R.C. Exposed Arms*

SUFFIXES

- ___ -BS Bar Support Valve Plate (Specify Valve Name and Number)
- ___ -SL Stud Length Over 6 [152] (Specify Length)
- ___ -VP Vandal-Proof Trim

*REGULARLY FURNISHED UNLESS OTHERWISE SPECIFIED

| | | |
|----------------|---------------|-------------------|
| REV. E | DATE: 12/2/10 | C.N. NO. 120605 |
| DWG. NO. 58860 | | PRODUCT NO. Z1255 |