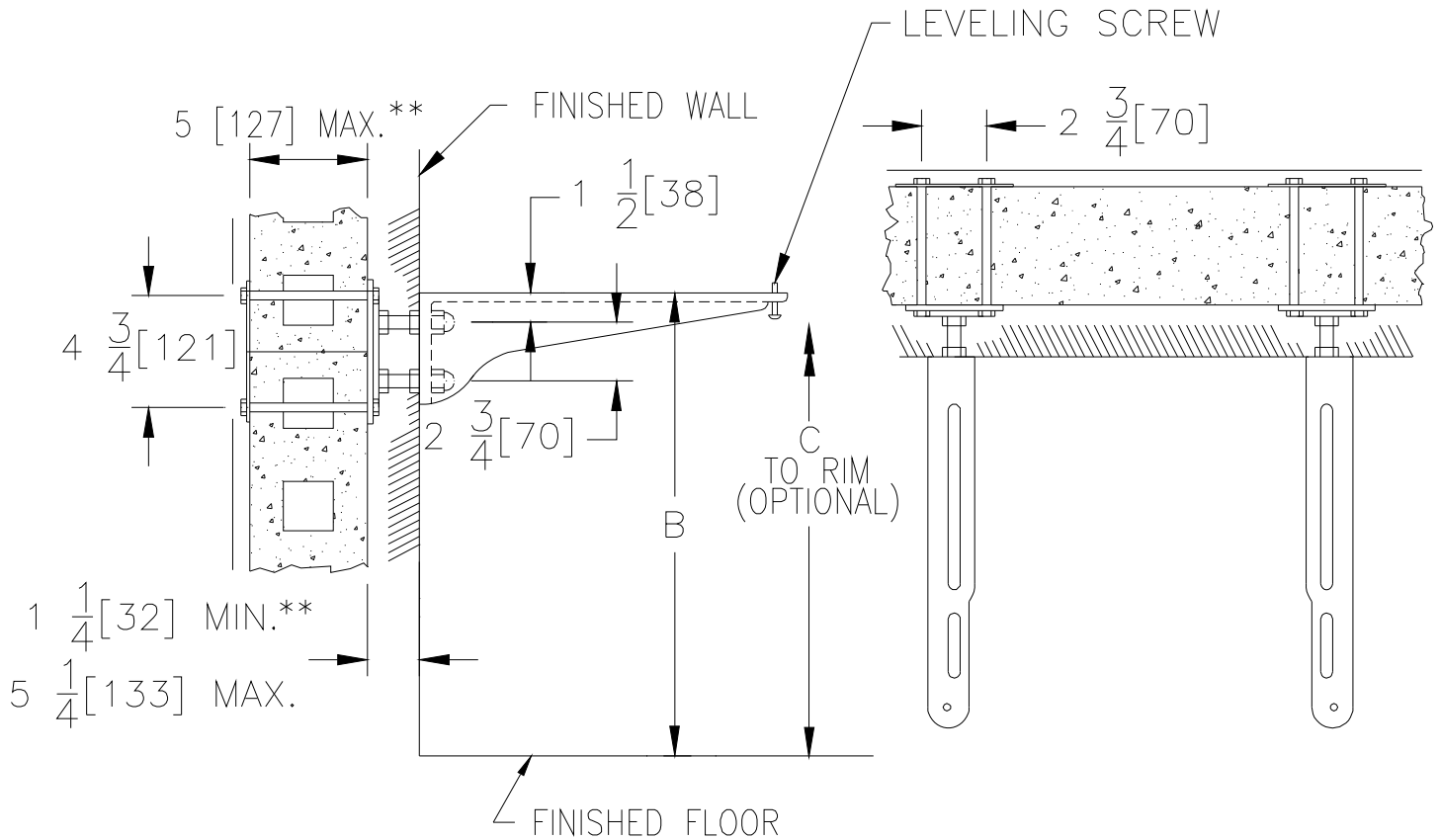




Z1257

EXPOSED ARM SYSTEM WALL SUPPORTED

Dimensional Data (inches and [mm]) are Subject to Manufacturing Tolerances and Change Without Notice



** WITH STANDARD STUD LENGTH OF 6 [152]

Product No.	Approx. Wt. Lbs. [kg]
Z1257	25 [11]

ENGINEERING SPECIFICATION: ZURN Z1257 Wall supported exposed arm system. Dura-Coated wall plate securing assembly with acid resistant epoxy coated cast iron exposed arms, complete with mounting fasteners.

Note: Dimensional data for letter dimensions depends upon fixture type and manufacturer. See Zurn Carrier/Fixture Rough-In information at www.zurn.com for specific rough-in dimensions

OPTIONS (Check/specify appropriate options)

PREFIXES

___ Z Dura-Coated System with A.R.C. Exposed Arms*

SUFFIXES

- ___ -BS Bar Support Valve Plate (Specify Valve Name and Number)
- ___ -SL Stud Length Over 6 [152] (Specify Length)
- ___ -VP Vandal-Proof Trim

*REGULARLY FURNISHED UNLESS OTHERWISE SPECIFIED

REV. E	DATE: 12/2/10	C.N. NO. 120608
DWG. NO. 58862		PRODUCT NO. Z1257