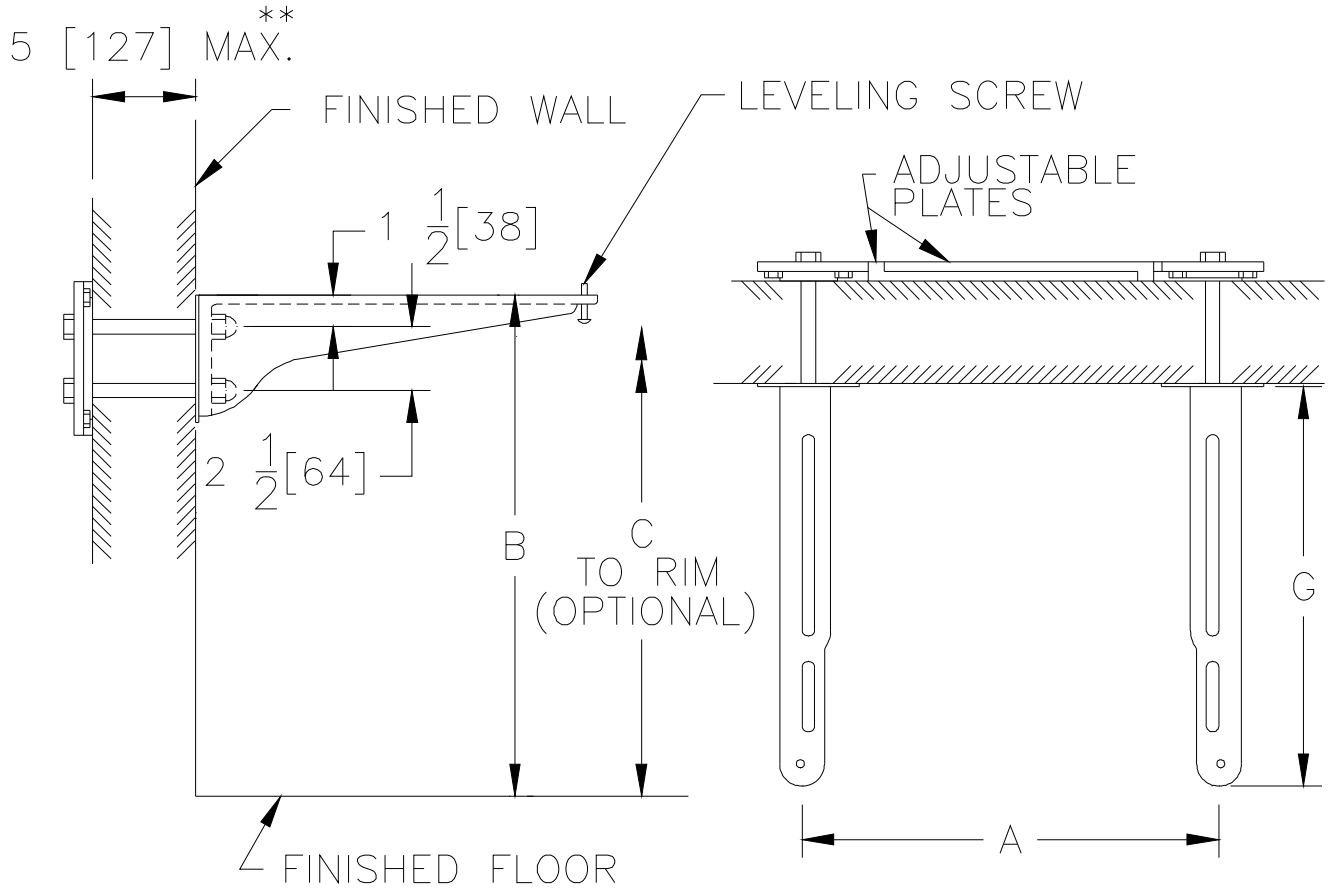




Z1258

EXPOSED ARM SYSTEM WALL SUPPORTED

Dimensional Data (inches and [mm]) are Subject to Manufacturing Tolerances and Change Without Notice



** WITH STANDARD STUD LENGTH OF 6 [152]

Product No.	Approx. Wt. Lbs. [kg]
Z1258	25 [11]

ENGINEERING SPECIFICATION: ZURN Z1258 Lavatory support with exposed arms. Complete with adjustable Dura-Coated support plates, acid resistant epoxy coated cast iron exposed arms, and mounting fasteners.

OPTIONS (Check/specify appropriate options)

PREFIXES

___ Z Dura-Coated System with A.R.C. Exposed Arms*

SUFFIXES

- ___ -BS Bar Support Valve Plate (Specify Valve Name and Number)
- ___ -SL Stud Length Over 6 [152] (Specify Length)
- ___ -VP Vandal-Proof Trim

Note: Dimensional data for letter dimensions depends upon fixture type and manufacturer. See Zurn Carrier/Fixture Rough-In information at www.zurn.com for specific rough-in dimensions

*REGULARLY FURNISHED UNLESS OTHERWISE SPECIFIED

REV. E	DATE: 8/26/04	C.N. NO. 120609
DWG. NO. 58863		PRODUCT NO. Z1258