

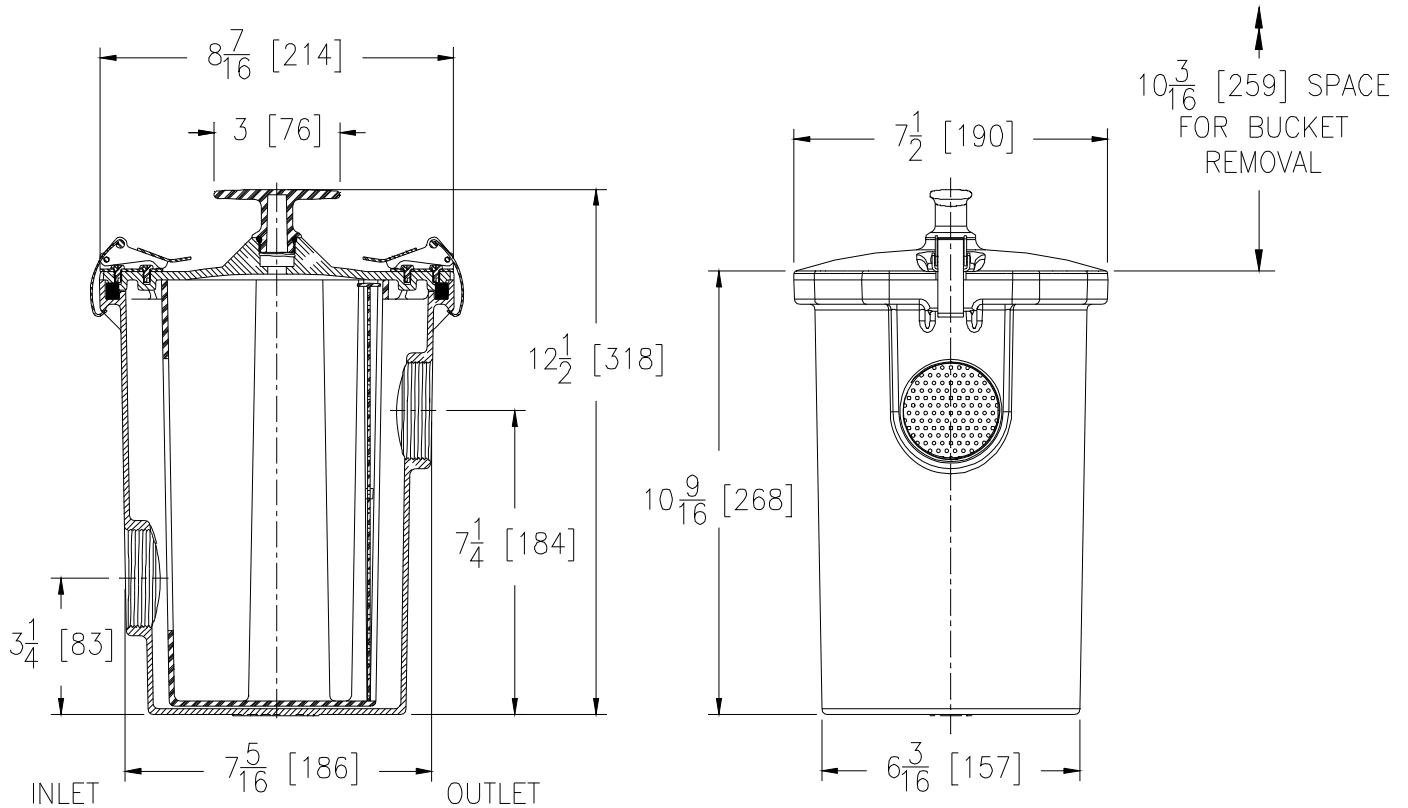


Z1180 SOLIDS INTERCEPTOR

SPECIFICATION SHEET

TAG _____

Dimensional Data (inches and [mm]) are Subject to Manufacturing Tolerances and Change Without Notice



Inlet/Outlet Inches	Flow Rate GPM [L]	Approx. Wt. Lbs. [kg]
1-1/2, 2** [38, 50]	15 [57]	6 [3]

ENGINEERING SPECIFICATION: ZURN Z1180

Acid Resistant Composite Interceptor, in lieu of fixture 'P' trap, for on-floor installation, with removable PVC sediment bucket having a removable 3/32 [2] dia. perforated flow defusing/intercepting PVC screen, with top access gasketed secured cover, stainless steel draw latches and hardware with an ABS handle for easy removal of sediment bucket and screen. Regularly furnished with 2 [51] threaded low inlet and high outlet.**

OPTIONS (Check/specify appropriate options)

PREFIXES

- ___ Z Acid Resistant Composite*
- ___ ZA Acid Resistant Coated Fabricated Steel (Design different than what is shown.)

SUFFIXES

- ___ -CS Custom Screens (Specify Material And Perforation Size Required)
- ___ -RS Replacement 3/32 [2] Dia. Perforated Screen For Bucket
- ___ -SS Stainless Steel 3/32 [2] Dia. Perforated Screen for Bucket
- ___ -Y Replacement Bucket Assembly With 3/32 [2] Dia Perforated Screen

*REGULARLY FURNISHED UNLESS OTHERWISE SPECIFIED

REV. E	DATE: 7/19/10	C.N. NO. 111398
DWG. NO. 58912	PRODUCT NO. Z1180	