

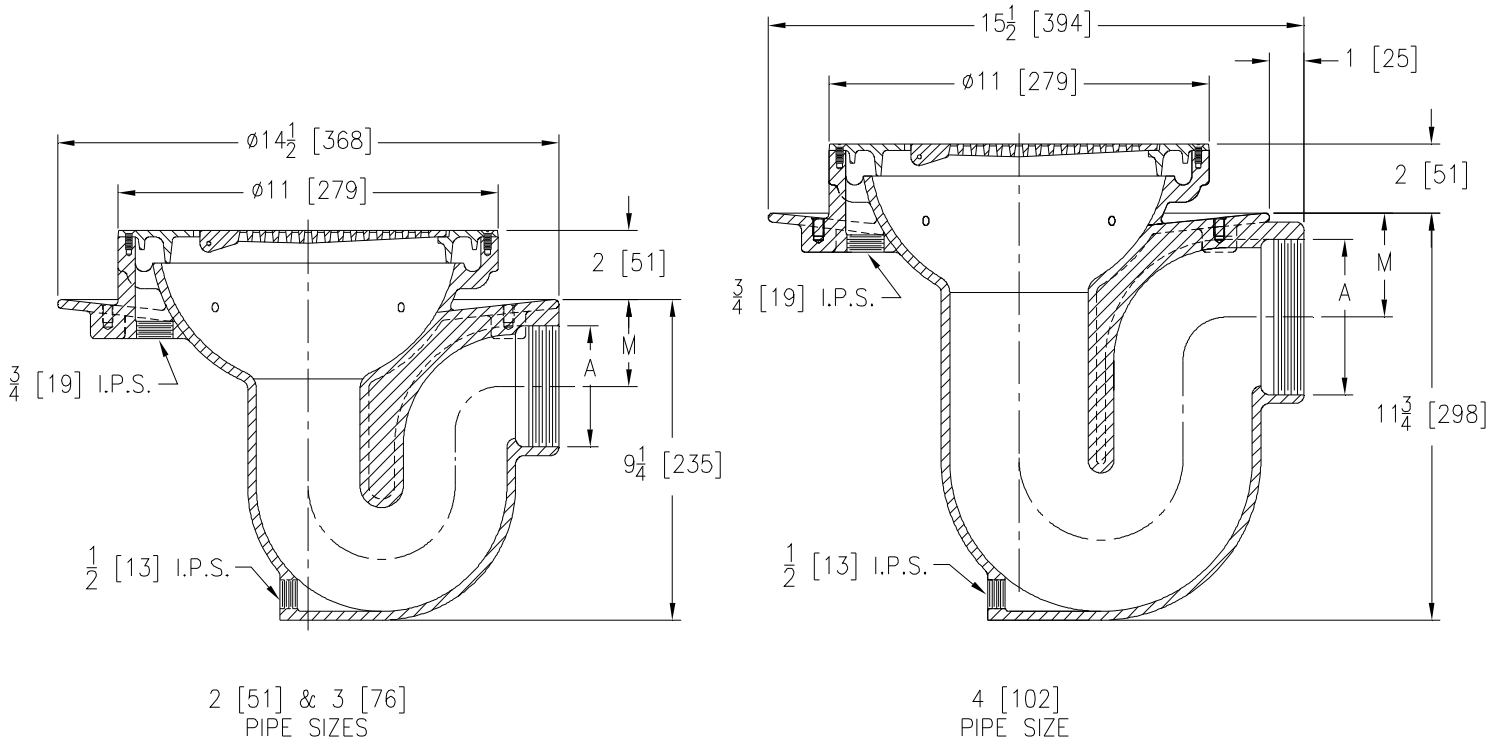


Z300
THOROFLUSH DRAIN

SPECIFICATION SHEET

TAG _____

Dimensional Data (inches and [mm]) are Subject to Manufacturing Tolerances and Change Without Notice



2 [51] & 3 [76]
PIPE SIZES

4 [102]
PIPE SIZE

Dimensions in In[mm]		Approx. Wt. Lbs. [kg]	Grate Open Area Sq. In. [cm ²]
A-Pipe Size	M		
2 [51]	3 [76]	50 [23]	18 [116]
3 [76]	2-1/2 [64]		
4 [102]	3 [76]		

ENGINEERING SPECIFICATION: ZURN ZN300

11" [279mm] Top Thoroflush Drain with integral double wall trap, cast iron body with white acid resistant epoxy coated exterior and interior, side outlet with seepage pan, nickel bronze flushing rim top and slotted hinged grate.

OPTIONS (Check/specify appropriate options)

PIPE SIZE

2,3,4 [51,76,102]

(Specify size) **OUTLET**

____ IP Threaded

PREFIXES

- ____ ZB Cast Iron Body w/A.R.C. Interior and Exterior w/Polished Bronze Top
- ____ ZN Cast Iron Body w/A.R.C. Interior and Exterior w/Polished Nickel Bronze Top*

SUFFIXES

- ____ -C Clamping Collar
- ____ -FG Free Set Grate
- ____ -IG Integral Grate
- ____ -SC Solid Cover
- ____ -ST Solid Hinged Top
- ____ -VP Vandal-Proof Screws in Frame
- ____ -WB Water Supply Control Box (See Z1464)

* Regularly furnished unless otherwise specified.