



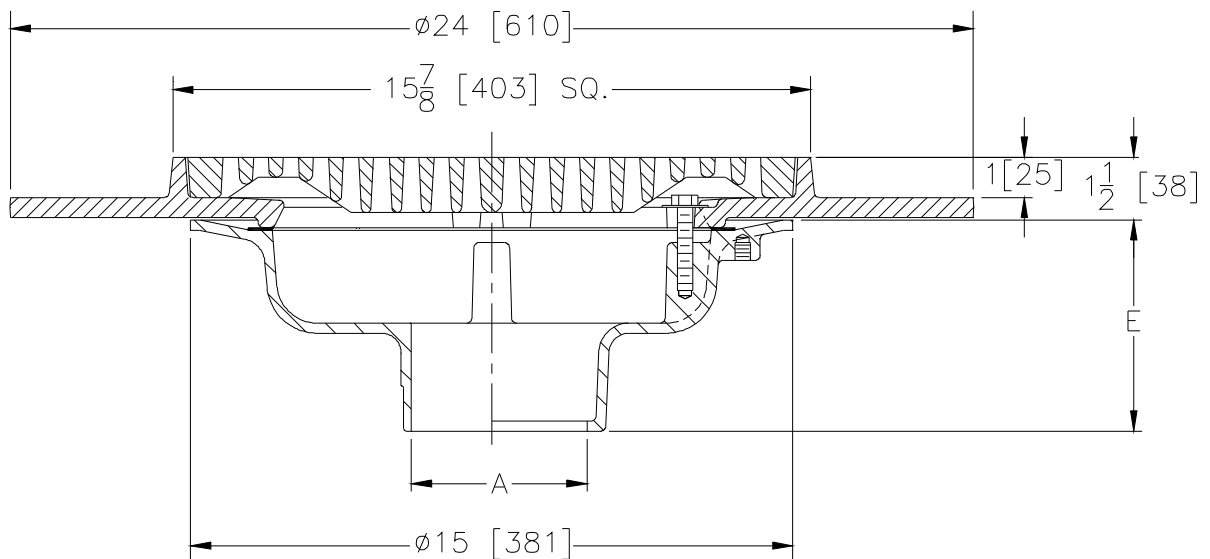
Z537

**15-7/8 [403] SQUARE TOP HEAVY-DUTY PARKING
DECK DRAIN W/ SUPPORT FLANGE**

SPECIFICATION SHEET

TAG _____

Dimensional Data (inches and [mm]) are Subject to Manufacturing Tolerances and Change Without Notice



A Pipe Size In [mm]	Approx. Wt. Lbs. [kg]	Grate Open Area Sq. In. [cm ²]
2,3,4,6 [51,76,102,152]	122 [55]	79 [510]
8 [203]	124 [56]	

ENGINEERING SPECIFICATION: ZURN Z537
15-7/8" [403mm] Square top parking deck drain, Dura-Coated cast iron body with bottom outlet, heavy-duty gasketed drain support flange, with heavy-duty slotted ductile iron grate.

OPTIONS (Check/specify appropriate options)

PIPE SIZE

- 3,4,6,8 [76,102,152,203]
- 3,4,6,8 [76,102,152,203]
- 2,3,4 [51,76,102]

(Specify size/type) **OUTLET**

- ___ IP Threaded
- ___ NH No-Hub
- ___ NL Neo-Loc

'E' BODY HT. DIM.

- 3-3/4 [95]
- 5-1/4 [133]
- 4-5/8 [117]

PREFIXES

- ___ Z D.C.C.I. Body and Top*
- ___ ZN D.C.C.I. Body with Polished Nickel Bronze Top (Add 3/16 [5] to 1-1/2 [38] Dim.)

SUFFIXES

- ___ -C Underdeck Clamp
- ___ -G Galvanized Cast Iron
- ___ -VP Vandal-Proof Secured Top
- ___ -Y Sediment Bucket

* Regularly furnished unless otherwise specified.