



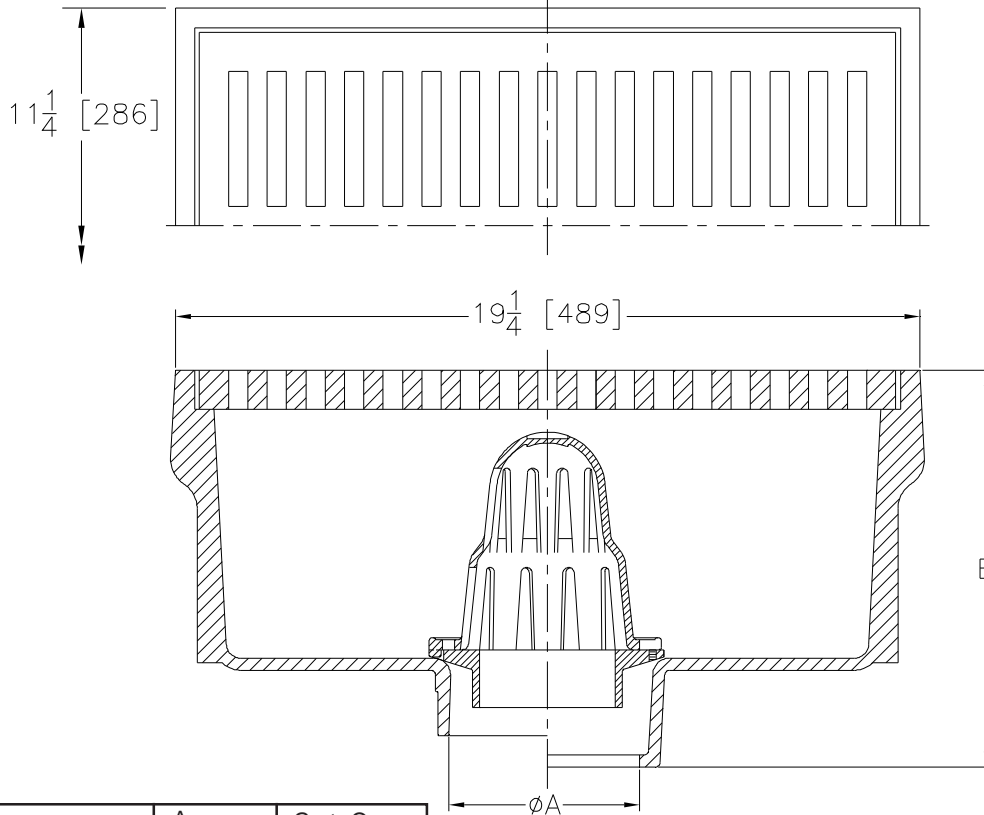
Z668

11-1/4 x 19-1/4 [286 X 489] HEAVY-DUTY DRAIN

SPECIFICATION SHEET

TAG _____

Dimensional Data (inches and [mm]) are Subject to Manufacturing Tolerances and Change Without Notice



A Pipe Size In [mm]	Approx. Wt. Lbs. [kg]	Grate Open Area Sq. In. [cm ²]
4,6 [102,152]	115 [52]	60 [387]

ENGINEERING SPECIFICATION: ZURN Z668

11-1/4" X 19-1/4" [286mm x 489mm] Top drain, Dura-Coated cast iron body with bottom outlet, less seepage pan, with secondary strainer, loose heavy-duty slotted grate.

OPTIONS (Check/specify appropriate options)

PIPE SIZE

- 4,6 [102,152]
- 4,6 [102,152]
- 4,6 [102,152]
- 4,6 [102,152]
- 4 [102]

(Specify size/type) **OUTLET**

- ___ IC Inside Caulk
- ___ IG Inside Gasket
- ___ IP Threaded
- ___ NH No-Hub (IP w/ Z1040)
- ___ NL Neo-Loc

'E' BODY HT. DIM.

- 10-1/4 [260]
- 10-1/4 [260]
- 8-5/8 [219]
- 11-1/8 [283]
- 9-1/2 [241]

PREFIXES

- ___ Z D.C.C.I. Body and Top*

SUFFIXES

- ___ -AR Acid Resistant Epoxy Coated Cast Iron
- ___ -DG Duresist Grate
- ___ -G Galvanized Cast Iron
- ___ -TC Neo-Loc Test Cap Gasket
(4 [102] NL Bottom Outlet Only)
- ___ -TS Top Secured with Slotted Screws
- ___ -V Backwater Valve (See Z1099)
- ___ -VP Vandal-Proof Secured Top

* Regularly furnished unless otherwise specified.