



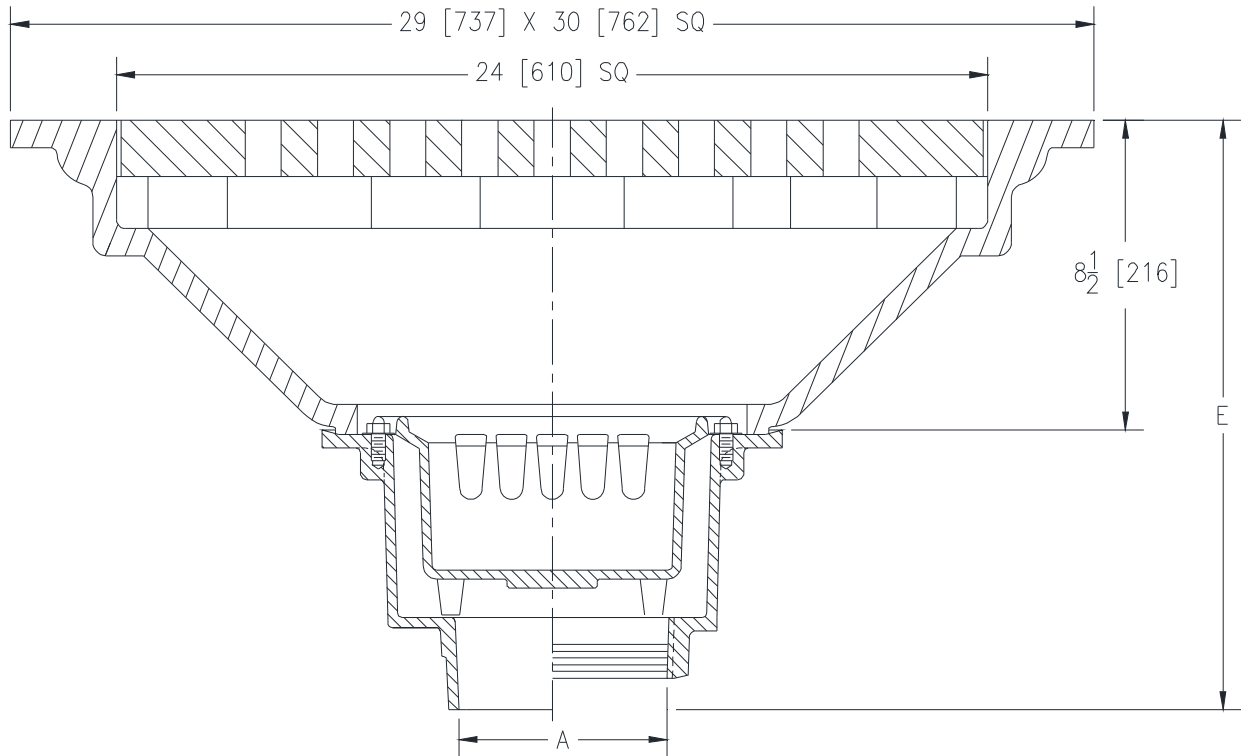
Z673

29 x 30 [737 x 762]
EXTRA-HEAVY-DUTY DRAIN

SPECIFICATION SHEET

TAG _____

Dimensional Data (inches and [mm]) are Subject to Manufacturing Tolerances and Change Without Notice



A Pipe Size In [mm]	Approx. Wt. Lbs. [kg]	No. of Grates	Grate Open Area Sq. In. [cm ²]
4 [102]	294 [133]	2	166 [1071]
6 [152]	314 [142]		

ENGINEERING SPECIFICATION: ZURN Z673

29" X 30" [737mm X 762mm] Top drain, Dura-Coated cast iron body with bottom outlet, seepage pan and combination membrane flashing clamp and frame for cast iron extra-heavy-duty loose slotted grate with suspended sediment bucket.

OPTIONS (Check/specify appropriate options)

PIPE SIZE

4 [102]
4, 6 [102, 152]

(Specify size/type) OUTLET

___ IP Threaded
___ NH No-Hub

'E' BODY HT. DIM.

14-5/8 [371]
16-1/4 [413]

PREFIXES

___ Z D.C.C.I. Body and Top*

SUFFIXES

___ -DG Duresist Grate
___ -G Galvanized Cast Iron
___ -SS Stainless Mesh Liner for Bucket
___ -TS Top Secured with Slotted Screws
___ -VP Vandal-Proof Secured Top

* Regularly furnished unless otherwise specified.