



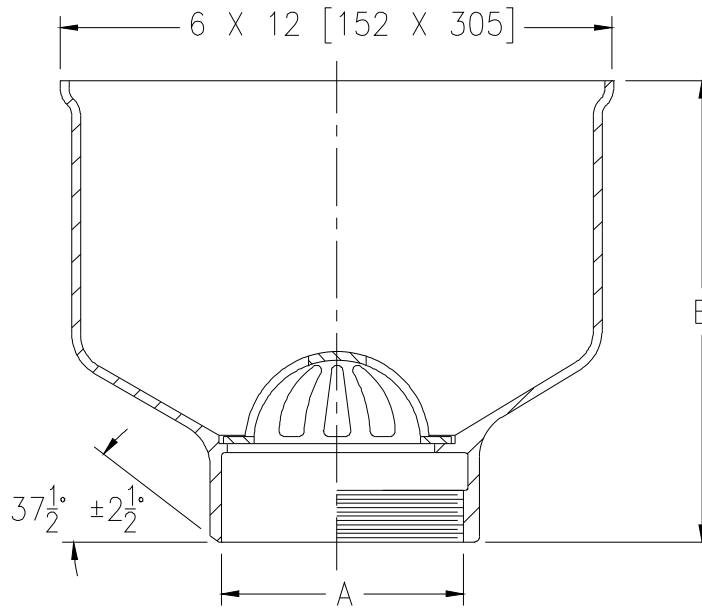
Z1721

6 X 12 [152 X 305] OPEN SIGHT DRIP DRAIN

SPECIFICATION SHEET

TAG _____

Dimensional Data (inches and [mm]) are Subject to Manufacturing Tolerances and Change Without Notice



A- Pipe Size In. [mm]	Approx. Wt. Lbs. [kg]
3, 4, 6 [76, 102, 152]	30 [14]

ENGINEERING SPECIFICATION: ZURN Z1721

6" x 12" [152mm x 305mm] Open sight drip drain with Type 304 (CF8) stainless steel body and integral aluminum bottom dome strainer, all with plain finish.

OPTIONS (Check/specify appropriate options)

PIPE SIZE

3, 4, 6 [76, 102, 152]

(Specify size/type) **OUTLET**

___ BW Butt-Weld
(Specify Schedule 10 or 40)

'E' BODY HT. DIM.

10 [254]

3, 4, 6 [76, 102, 152]

___ IP Threaded

10 [254]

PREFIXES

- ___ Z Type 304 (CF8) Stainless Steel Body*
- ___ ZM Type 316 (CF8M) Stainless Steel Body

SUFFIXES

- ___ -DB Stainless Steel Dome Bottom Strainer
- ___ -FG Flush Grate

* Regularly furnished unless otherwise specified.