

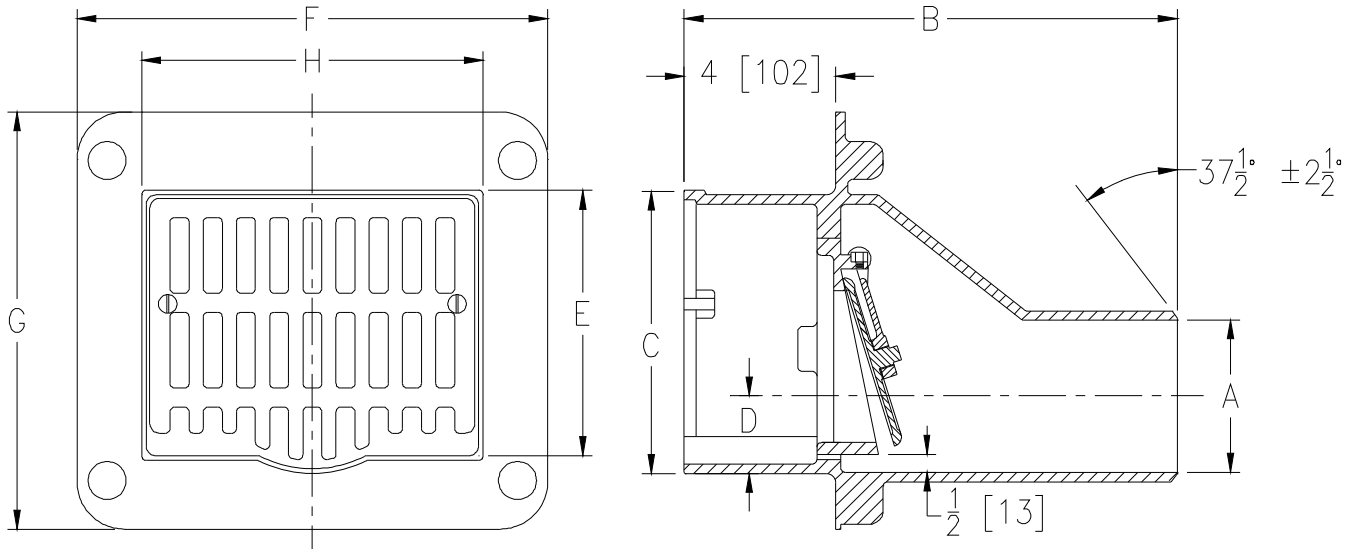


Z1739
PIT DRAIN

SPECIFICATION SHEET

TAG _____

Dimensional Data (inches and [mm]) are Subject to Manufacturing Tolerances and Change Without Notice



Dimensions in Inches[mm]								Approx. Wt. Lbs. [kg]	Grate Open Area Sq. In. [cm ²]
A-Pipe Size	B	C	D	E	F	G	H		
3 [76]	13 [330]	7-5/8 [194]	1-1/2 [38]	6-7/8 [175]	12-3/4 [324]	11 [280]	9-1/4 [235]	50 [23]	20 [129]
4 [102]			2 [51]						

ENGINEERING SPECIFICATION: ZURN Z1739

Pit drain, All Type 304 (CF8) stainless steel body with integral anchor flange, grate with plain finish and bronze backwater valve.

OPTIONS (Check/specify appropriate options)

PIPE SIZE

3, 4 [76, 102]

(Specify size) **OUTLET**

___ BW Butt-weld

(Specify Schedule 10 or 40)

PREFIXES

___ Z Type 304 (CF8) Stainless Steel Body*

___ ZM Type 316 (CF8M) Stainless Steel Body

SUFFIXES

___ -VP Vandal-Proof Secured Top

* Regularly furnished unless otherwise specified.