



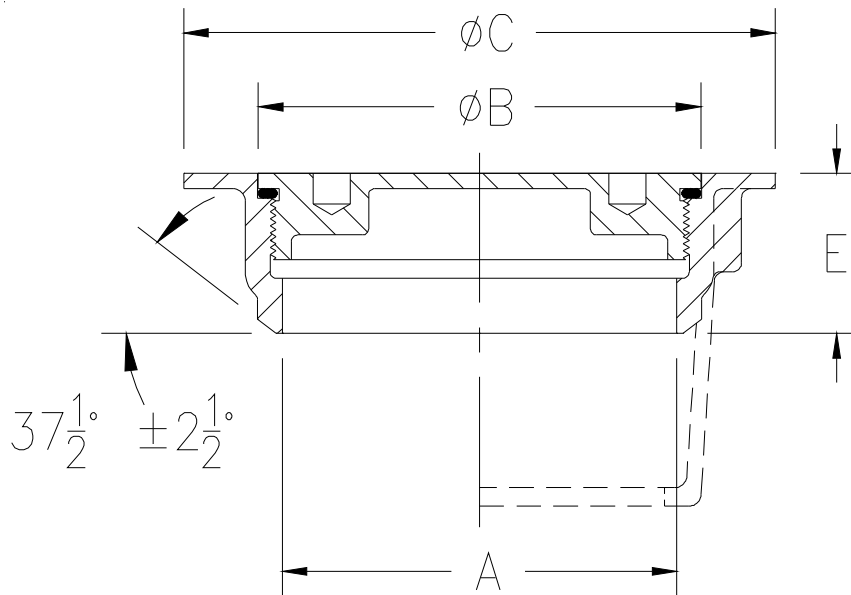
Z1745

FLOOR CLEANOUT WITH O-RING SEAL PLUG

SPECIFICATION SHEET

TAG _____

Dimensional Data (inches and [mm]) are Subject to Manufacturing Tolerances and Change Without Notice



Dimensions in Inches			Approx. Wt. Lbs.
A- Pipe Size	B	C	
2 [51]	2-3/4 [70]	4 [102]	6 [3]
3 [76]	3-1/2 [89]	4-7/8 [124]	
4 [102]	4-1/2 [114]	6 [152]	
6 [152]	7-7/8 [200]	9-3/8 [238]	10 [5]
8 [203]	9-7/8 [251]	11 [280]	

ENGINEERING SPECIFICATION: ZURN Z1745

All Type 304 (CF8) stainless steel cleanout body and plug with O-ring seal. Plug is scoriated with satin finish. Spanner wrench provided for each plug size.

OPTIONS (Check/specify appropriate options)

PIPE SIZE

2 thru 4, 6 [51 thru 102, 152]
 8 [203]
 2 thru 4, 6 [51 thru 102, 152]

(Specify size/type) **OUTLET**

___ BW Butt-weld
 ___ BW Butt-weld
 ___ IC Inside Caulk

'E' BODY HT. DIM.

1-5/8 [41]
 2-1/2 [64]
 3-3/8 [86]

PREFIXES

___ Z Type 304 (CF8) Stainless Steel Body*
 ___ ZM Type 316 (CF8M) Stainless Steel Body

SUFFIXES

___ -SW Bronze Spanner Wrench

REV. D	DATE: 11/18/10	C.N. NO. 120401
DWG. NO. 59304		PRODUCT NO. Z1745

*REGULARLY FURNISHED UNLESS OTHERWISE SPECIFIED