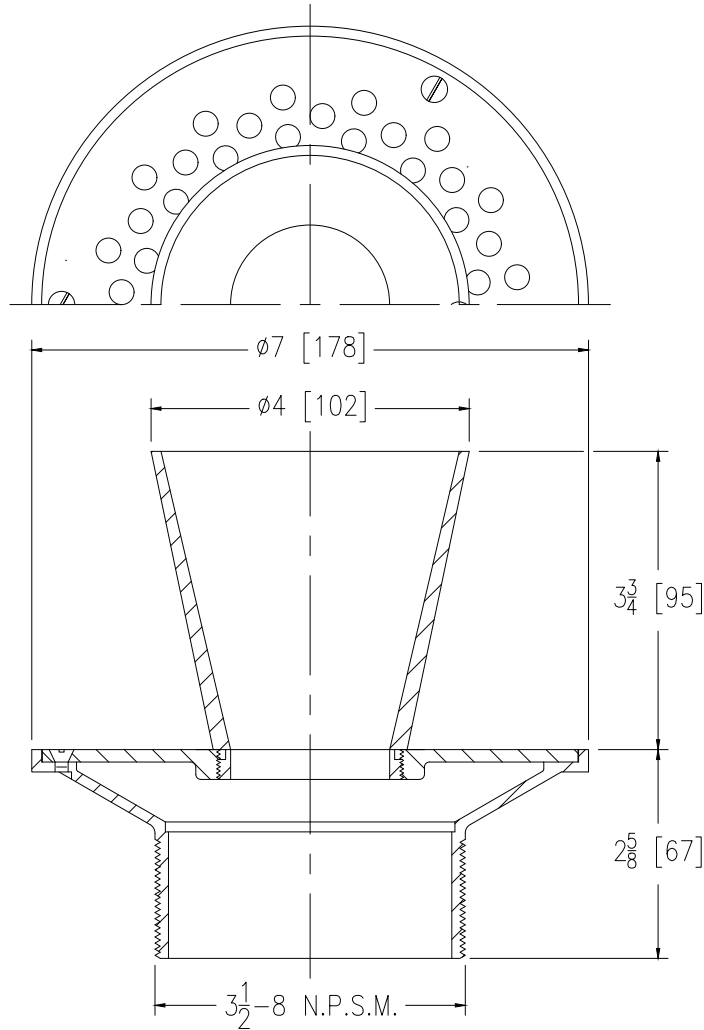


Design and Dimensional Data (inches and [ mm ]) are Subject to Manufacturing Tolerances and Change Without Notice



Strainer Designation	Top Size Inches B	Approx. Wt. Lbs. [kg]	Open Area Sq. In. [cm <sup>2</sup> ]
-7E	7 [178]	10 [5]	5 [33]

**ENGINEERING SPECIFICATION: ZURN Z( )400E**  
 "TYPE E" round adjustable strainer top with combination funnel/grate with perimeter openings.  
 (Specify ZB or ZN finish)

**OPTIONS** (Check/specify appropriate options)

**PREFIXES**

- \_\_\_ ZB Polished Bronze Top
- \_\_\_ ZN Polished Nickel Bronze Top

**SUFFIXES**

- \_\_\_ -V Backwater Valve
- \_\_\_ -VP Vandal-Proof Secured Top
- \_\_\_ -Y Sediment Bucket

**⚠ WARNING:** Cancer and Reproductive Harm - [www.P65Warnings.ca.gov](http://www.P65Warnings.ca.gov)  
**⚠ ADVERTENCIA:** Cáncer y daño reproductivo - [www.P65Warnings.ca.gov](http://www.P65Warnings.ca.gov)  
**⚠ AVERTISSEMENT:** Cancer et effets néfastes sur la reproduction - [www.P65Warnings.ca.gov](http://www.P65Warnings.ca.gov)

Zurn Industries, LLC | Specification Drainage Operation  
 1801 Pittsburgh Avenue, Erie, PA 16502, Ph. 855.663.9876

In Canada | Zurn Industries Limited  
 7900 Goreway Drive, Unit 10, Brampton, Ontario L6T 5W6, Ph. 877.892.5216

[www.zurn.com](http://www.zurn.com)

Rev. F  
 Date: 01/09/23  
 C.N. No. 144898  
 Patent [zurn.com/patents](http://zurn.com/patents)  
 Prod. | Dwg. No. Z400E