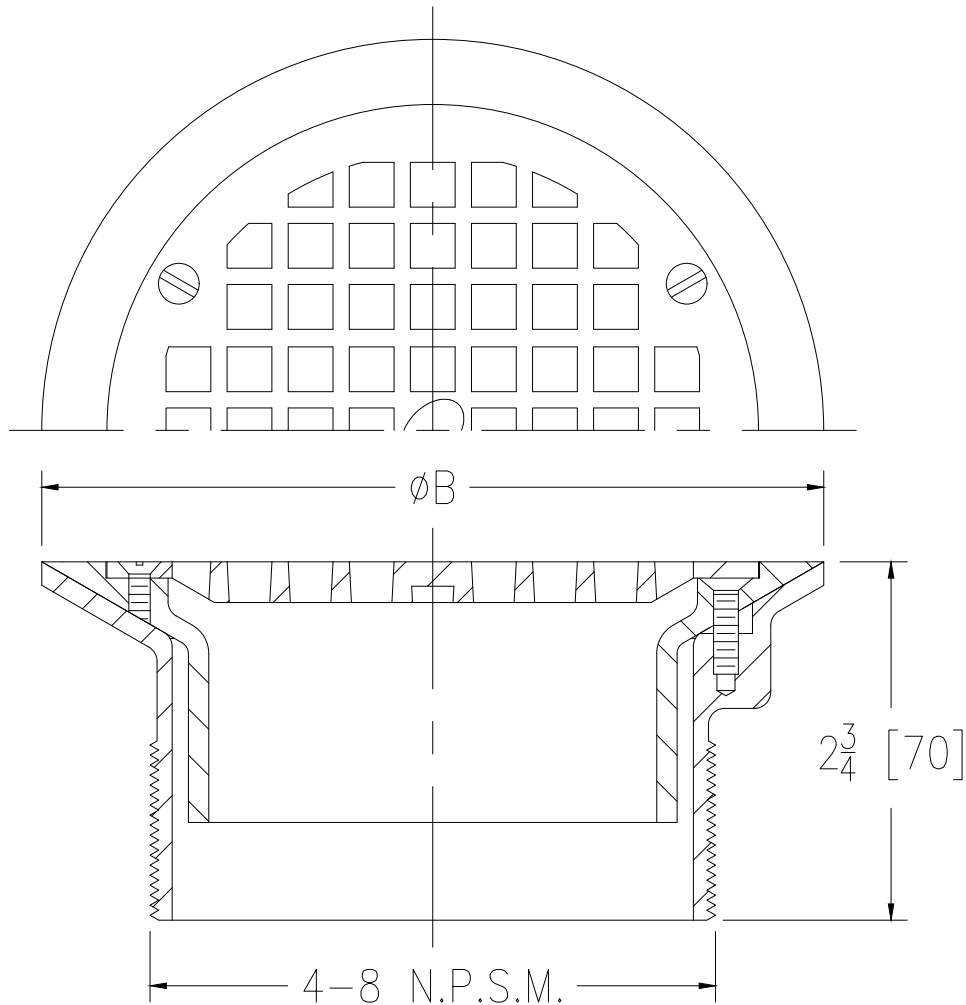


Design and Dimensional Data (inches and [mm]) are Subject to Manufacturing Tolerances and Change Without Notice



Strainer Designation	Top Size Inches B	Approx. Wt. Lbs. [kg]	Open Area Sq. In. [cm ²]
-6H	6 [127]	4 [2]	7 [45]
-9H	9 [229]	10 [5]	11 [71]

ENGINEERING SPECIFICATION: ZURN Z()400H
 "TYPE H" round adjustable light-duty strainer top with integral clamping frame and secured heelproof grate.
 (Specify ZB or ZN finish)

OPTIONS (Check/specify appropriate options)

PREFIXES

- ___ ZB Polished Bronze Top
- ___ ZN Polished Nickel Bronze Top*

SUFFIXES

- ___ -VP Vandal-Proof Secured Top
- ___ -Y Sediment Bucket

* Regularly furnished unless otherwise specified.

- ⚠ **WARNING:** Cancer and Reproductive Harm - www.P65Warnings.ca.gov
- ⚠ **ADVERTENCIA:** Cáncer y daño reproductivo - www.P65Warnings.ca.gov
- ⚠ **AVERTISSEMENT:** Cancer et effets néfastes sur la reproduction - www.P65Warnings.ca.gov

Zurn Industries, LLC | Specification Drainage Operation
 1801 Pittsburgh Avenue, Erie, PA 16502, Ph. 855.663.9876

In Canada | Zurn Industries Limited
 7900 Goreway Drive, Unit 10, Brampton, Ontario L6T 5W6, Ph. 877.892.5216

www.zurn.com

Rev. E
 Date: 01/09/23
 C.N. No. 144898
 Patent zurn.com/patents
 Prod. | Dwg. No. Z400H