

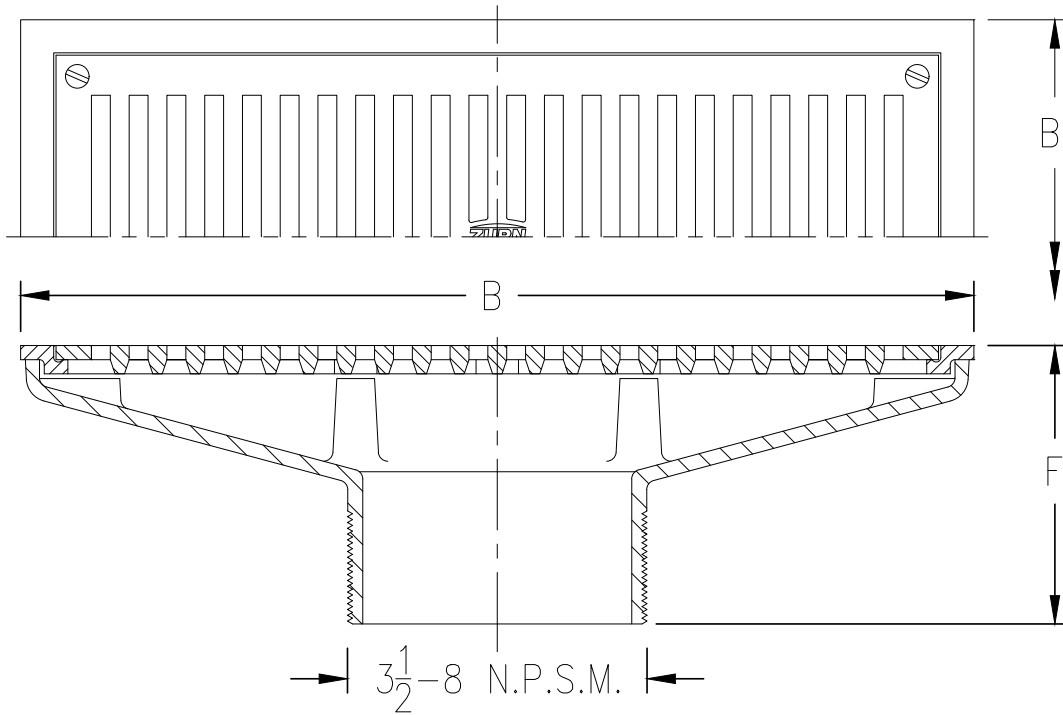


**Z400J**  
 "TYPE J" RECTANGULAR STRAINER  
 W/ HEEL-PROOF SLOTTED OPENING

SPECIFICATION SHEET

TAG \_\_\_\_\_

Design and Dimensional Data (inches and [ mm ]) are Subject to Manufacturing Tolerances and Change Without Notice



Strainer Designation	Dimension in Inches[mm]		Approx. Wt. Lbs. [kg]	Open Area Sq. In. [cm <sup>2</sup> ]
	Size B' x B	Height F		
-8J	4-1/2 X 8 [114 X 203]	3 [76]	4 [2]	12 [77]
-9J	5 X 9 [127 X 229]	3 [76]	5 [2]	15 [97]
-13J	5-1/2 X 13 [140 X 330]	4-7/8 [124]	9 [4]	20 [129]
-17J	5 X 17 [127 X 432]	3-1/2 [89]	14 [6]	29 [187]
-21J	5 X 21 [127 X 533]	3-1/2 [89]	18 [8]	32 [206]
-20J	10 X 20 [254 X 508]	3-5/8 [92]	34 [15]	66 [426]

**ENGINEERING SPECIFICATION:** ZURN Z( )400J "TYPE J" rectangular adjustable light-duty heel proof strainer top with Dura-Coated cast iron head, polished frame and secured slotted grate. (Specify ZB or ZN finish)

**OPTIONS** (Check/specify appropriate options)

**PREFIXES**

- \_\_\_ ZB Polished Bronze Top
- \_\_\_ ZN Polished Nickel Bronze Top

**SUFFIXES**

- \_\_\_ -G Galvanized Cast Iron
- \_\_\_ -V Backwater Valve
- \_\_\_ -VP Vandal-Proof Secured Top
- \_\_\_ -Y Sediment Bucket

**⚠ WARNING:** Cancer and Reproductive Harm - [www.P65Warnings.ca.gov](http://www.P65Warnings.ca.gov)  
**⚠ ADVERTENCIA:** Cáncer y daño reproductivo - [www.P65Warnings.ca.gov](http://www.P65Warnings.ca.gov)  
**⚠ AVERTISSEMENT:** Cancer et effets néfastes sur la reproduction - [www.P65Warnings.ca.gov](http://www.P65Warnings.ca.gov)

Zurn Industries, LLC | Specification Drainage Operation  
 1801 Pittsburgh Avenue, Erie, PA 16502, Ph. 855.663.9876

In Canada | Zurn Industries Limited  
 7900 Goreway Drive, Unit 10, Brampton, Ontario L6T 5W6, Ph. 877.892.5216

[www.zurn.com](http://www.zurn.com)

Rev. H  
 Date: 11/28/2022  
 C.N. No. 144898  
 Patent [zurn.com/patents](http://zurn.com/patents)  
 Prod. | Dwg. No. Z400J