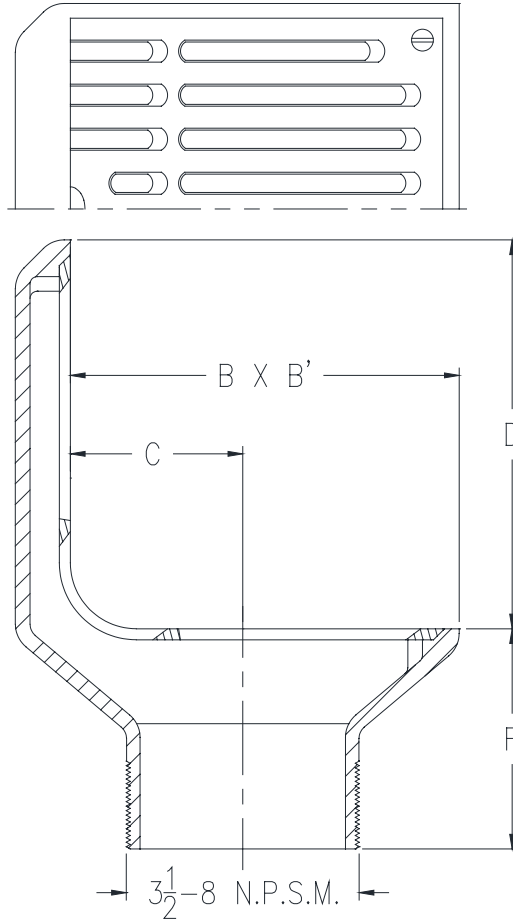


Design and Dimensional Data (inches and [mm]) are Subject to Manufacturing Tolerances and Change Without Notice



Strainer Designation	Dimension in Inches[mm]				Approx. Wt. Lbs. [kg]	Open Area Sq. In. [cm ²]
	B X B'	C	D	Height F		
-5K	3-3/8 X 5 [105 X 127]	1-7/32 [31]	3-3/4 [95]	2-3/8 [60]	9 [4]	11 [71]
-7K	6-5/8 X 7 [178 X 178]	2-15/16 [75]	6-5/8 [168]	3-3/4 [95]	16 [7]	29 [187]

ENGINEERING SPECIFICATION: ZURN Z()400K
 "TYPE K" angular adjustable light-duty strainer top with secured flush type angle grate.
 (Specify ZB or ZN finish)

OPTIONS (Check/specify appropriate options)

PREFIXES

- ___ ZB Polished Bronze Top
- ___ ZN Polished Nickel Bronze Top

SUFFIXES

- ___ -V Backwater Valve
- ___ -VP Vandal-Proof Secured Top
- ___ -Y Sediment Bucket

⚠ WARNING: Cancer and Reproductive Harm - www.P65Warnings.ca.gov
⚠ ADVERTENCIA: Cáncer y daño reproductivo - www.P65Warnings.ca.gov
⚠ AVERTISSEMENT: Cancer et effets néfastes sur la reproduction - www.P65Warnings.ca.gov

Zurn Industries, LLC | Specification Drainage Operation
 1801 Pittsburgh Avenue, Erie, PA 16502, Ph. 855.663.9876

In Canada | Zurn Industries Limited
 7900 Goreway Drive, Unit 10, Brampton, Ontario L6T 5W6, Ph. 877.892.5216

www.zurn.com

Rev. F
 Date: 01/05/23
 C.N. No. 144898
 Patent zurn.com/patents
 Prod. | Dwg. No. Z400K