



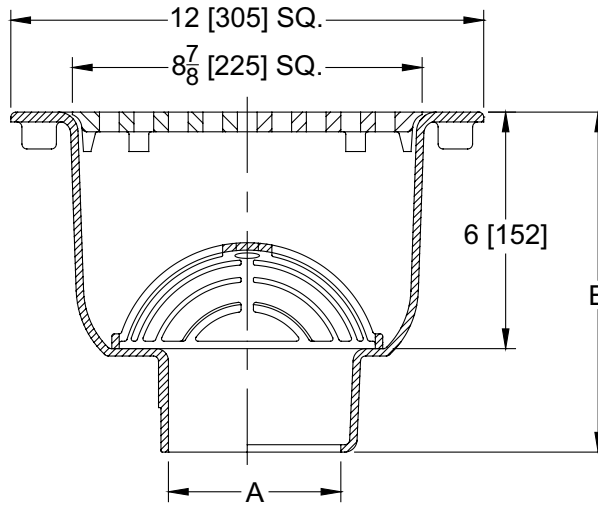
Z1900

12 x 12 [305 x 305] A.R.E. SANI-FLOR RECEPTOR
6 [152] SUMP DEPTH

SPECIFICATION SHEET

TAG _____

Design and Dimensional Data (inches and [mm]) are Subject to Manufacturing Tolerances and Change Without Notice



A Pipe size in [mm]	Approx. Weight lbs [kg]	Grate Open Area in ² [cm ²]
2, 3, 4 [51, 76, 102]	32 [15]	31 [200]

ENGINEERING SPECIFICATION: ZURN Z1900

Sani-Flor Receptor 12" x 12" x 6" [305mm x 305mm x 152mm] deep cast iron body and square, light-duty grate with 1/2" [13mm] slotted openings, white acid resisting porcelain enamel interior and top, complete with white ABS anti-splash interior bottom dome strainer.

Options (Check/specify appropriate options)

PIPE SIZE

- 3, 4 [76, 102]
- 2, 3, 4 [51, 76, 102]
- 2, 3, 4 [51, 76, 102]

(Specify Size/Type) **OUTLET**

- ___ IC Inside Caulk
- ___ NH No-Hub
- ___ NL Neo-Loc

'E' BODY HEIGHT DIMENSION

Z	ZN/ZN
8-5/8 [219]	9-1/8 [232]
8-5/8 [219]	9-1/8 [232]
8 [203]	8-1/2 [216]

PREFIXES

- ___ Z Cast Iron Body with White A.R.E. Interior*
- ___ ZN Cast Iron Body with White A.R.E. Interior, 12-1/2 [317] Square N.B. Frame and Full Grate with 1/2 [13] Openings (Add 1/2 [13] to 12 [305] Dim.)
- ___ ZS Cast Iron Body with White A.R.E. Interior, 12-1/2 [317] Square Stainless Steel Frame and Full Grate with 1/2 [13] Openings (Add 1/2 [13] to 12 [305] Dim.)

SUFFIXES

- ___ -DX Dex-O-Tex Flange (ZN Only)
- ___ -HD Stainless Steel Frame w/ X-Heavy Duty Stainless Steel Grate (ZS Only)
- ___ -HP Heel-Proof Grate (ZN Only)
- ___ -K Anchor Flange with Seepage Holes
- ___ -KC Anchor Flange with Seepage Holes and Clamp Collar
- ___ -LD (Less) Bottom Dome Strainer
- ___ -P 1/2 [13] Trap Primer Connection (See Z1023)
- ___ -SA Stabilizer Assembly (See Z1903)
- ___ -TC Neo-Loc Test Cap Gasket (2, 3, 4 [51, 76, 102] NL Bottom Outlet Only)
- ___ -VPS Vandal-Proof Strainer
- ___ -1 (Less) Grate
- ___ -2 1/2 Grate
- ___ -3 3/4 Grate
- ___ -4 Full Grate w/ Center Opening (2 [51] Dia. for Z) and (3-1/32 [77] Square for ZN & ZS)
- ___ -6 Grate w/ 6 [152] Dia. x 6 [152] High Funnel
- ___ -8 Grate w/ 8-7/8 x 3-5/8 x 3-3/4 [225 x 92 x 95] High Oval Funnel
- ___ -11 Vandal-Proof Secured Top (ZN & ZS Only)
- ___ -15 Solid Loose Set Cover (Z & ZN Only)
- ___ -19 Full Hinged Grate (ZN Only)
- ___ -23 Aluminum Bucket
- ___ -25 White A.R.C. Bucket
- ___ -31 Stainless Steel Mesh Liner for Bucket
- ___ -32 Aluminum Dome Strainer
- ___ -33 White A.R.C. Anti-Splash Bottom Dome Strainer

- ⚠ **WARNING:** Cancer and Reproductive Harm - www.P65Warnings.ca.gov
- ⚠ **ADVERTENCIA:** Cáncer y daño reproductivo - www.P65Warnings.ca.gov
- ⚠ **AVERTISSEMENT:** Cancer et effets néfastes sur la reproduction - www.P65Warnings.ca.gov

Zurn Industries, LLC | Specification Drainage Operation
1801 Pittsburgh Avenue, Erie, PA 16502, Ph. 855.663.9876

In Canada | Zurn Industries Limited
7900 Goreway Drive, Unit 10, Brampton, Ontario L6T 5W6, Ph. 877.892.5216

www.zurn.com

Rev. N
Date: 01/11/23
C.N. No. 144899
Patent zurn.com/patents
Prod. | Dwg. No. Z1900