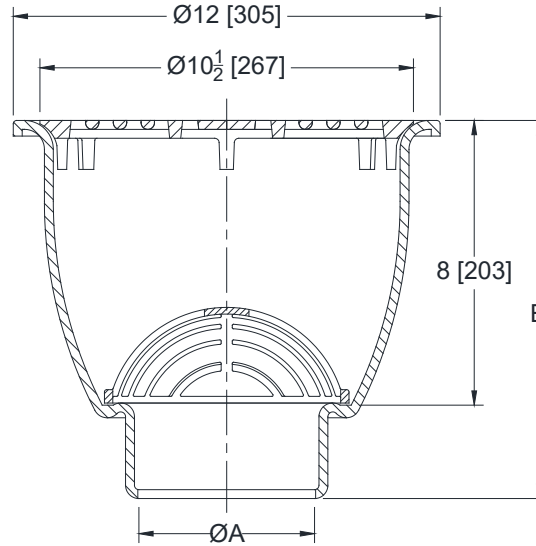


**Z1950**12 [305] DIAMETER A.R.E. SANI-FLOR RECEPTOR
8 [203] SUMP DEPTH

SPECIFICATION SHEET

TAG _____

Design and Dimensional Data (inches and [mm]) are Subject to Manufacturing Tolerances and Change Without Notice



'A' (Pipe Size) in [mm]	Approx. Wt. lbs [kg]	Grate Open Area in ² [cm ²]
2,3,4 [51,76,102]	34 [15]	22 [142]

ENGINEERING SPECIFICATION: ZURN Z1950
Sani-Flor Receptor 12" [305mm] Dia. x 8 [203mm] deep cast iron body and round slotted light duty grate, with white acid resisting porcelain enamel interior and top, complete with white ABS anti-splash interior bottom dome strainer.

Pipe Size	Outlet (specify size/type)	'E' Body Ht Dim Z	'E' Body Ht Dim ZN
3, 4 [76,102]	___ IC Inside Caulk	10-5/8 [270]	11 [279]
2, 3, 4 [51, 76,102]	___ NH No-Hub	10-5/8 [270]	11 [279]
2, 3, 4 [51, 76, 102]	___ NL Neo Loc	10 [254]	10-3/8 [264]

PREFIXES

- ___ Z Cast Iron Body with White A.R.E. Interior*
 ___ ZN Cast Iron Body with White A.R.E. Interior, 12-1/2 [321] N.B. Frame and Full Grate with 1/2 [13] Square Openings

SUFFIXES

- | | |
|---|--|
| ___ -K Anchor Flange | ___ -6 Grate w/ 6 [152] Dia. x 6 [152] High Funnel |
| ___ -KC Anchor Flange with Seepage Holes and Clamp Collar | ___ -8 Grate w/ 8-7/8 x 3-5/8 x 3-3/4 [225 x 92 x 95] High Oval Funnel |
| ___ -LD (Less) Bottom Dome Strainer | ___ -11 Vandal-Proof Secured Grate (ZN only) |
| ___ -P 1/2 [13] Trap Primer Connection (2,3,4 [51,76,102] NH Outlet Only - See Z1023) | ___ -15 Solid Loose Set Cover |
| ___ -TC Neo-Loc Test Cap Gasket (2,3,4 [51,76,102] NL Bottom Outlet Only) | ___ -23 Aluminum Bucket |
| ___ -1 (Less) Grate | ___ -25 White A.R.C. Bucket |
| ___ -2 1/2 Grate | ___ -31 Stainless Steel Mesh Liner for Bucket |
| ___ -3 3/4 Grate | ___ -32 Aluminum Dome Strainer |
| ___ -4 Full Grate with Center Opening | ___ -33 White A.R.C. Anti-Splash Bottom Dome Strainer |

* Regularly furnished unless otherwise specified.

⚠ **WARNING:** Cancer and Reproductive Harm - www.P65Warnings.ca.gov⚠ **ADVERTENCIA:** Cáncer y daño reproductivo - www.P65Warnings.ca.gov⚠ **AVERTISSEMENT:** Cancer et effets néfastes sur la reproduction - www.P65Warnings.ca.govZurn Industries, LLC | Specification Drainage Operation
1801 Pittsburgh Avenue, Erie, PA 16502, Ph. 855.663.9876In Canada | Zurn Industries Limited
7900 Goreway Drive, Unit 10, Brampton, Ontario L6T 5W6, Ph. 877.892.5216www.zurn.com

Rev.	G	Page 1 of 1
Date:	12/11/2024	
C.N. No.	146534	
Patent	zurn.com/patents	
Prod. Dwg. No.	Z1950	