



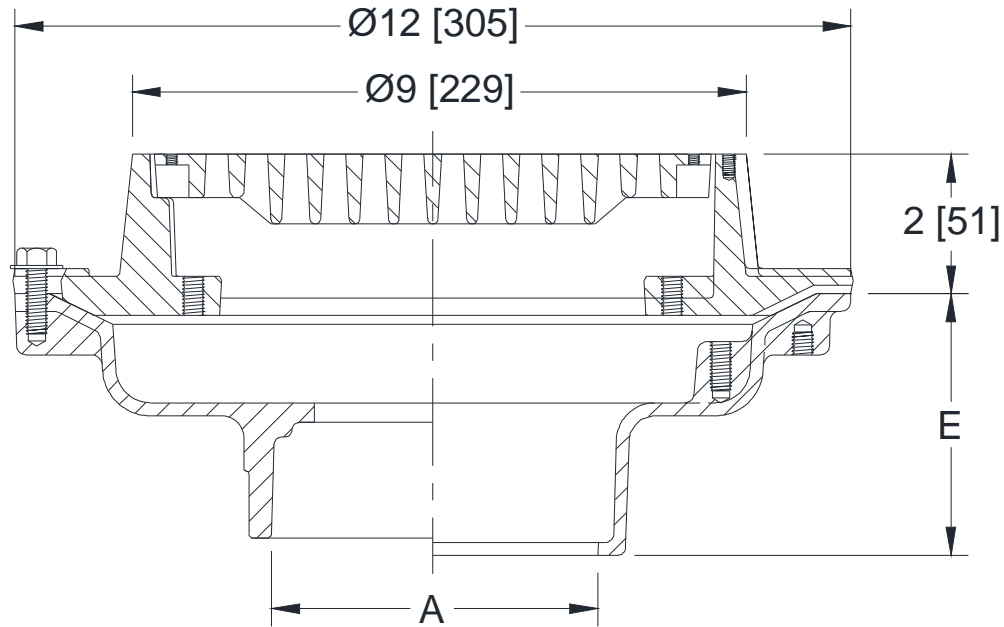
Z1970

9 [229] DIAMETER TOP SHALLOW A.R.C. SANI-FLOOR RECEPTOR

SPECIFICATION SHEET

TAG _____

Dimensional Data (inches and [mm]) are Subject to Manufacturing Tolerances and Change Without Notice



A Pipe Size In [mm]	Approx. Wt. Lbs. [kg]	Grate Open Area Sq. In. [cm ²]
2, 3, 4 [51, 76, 102]	28 [13]	18 [116]

ENGINEERING SPECIFICATION: ZURN Z1970

Sani-Floor Receptor 9" [229mm] Diameter top cast iron body, seepage pan and combination membrane flashing clamp and frame with integrated trap primer and plug for medium-duty grate, with white acid resisting epoxy coated interior and top.

OPTIONS (Check/specify appropriate options)

PIPE SIZE

2,3,4 [51,76,102]
2,3,4 [51,76,102]

(Specify size/type) OUTLET

___ NH No-Hub
___ NL Neo-Loc

'E' BODY HT. DIM.

4-3/4 [121]
3-1/2 [89]

PREFIXES

___ Z Cast Iron Body with White A.R.C. Interior*
___ ZN Cast Iron Body with White A.R.C. Interior, 9 [229] Round N.B. Frame and Full Slotted Grate.
(Add 3/16 [5] to 2 [51] Dim. & 11/16 [175] to 9 [229] Dim.)

SUFFIXES

___ -P 1/2 [13] Trap Primer Connection
___ -TC Neo-Loc Test Cap Gasket (2,3,4 [51,76,102] NL Bottom Outlet Only)
___ -2 1/2 Grate
___ -3 3/4 Grate
___ -11 Vandal-Proof Secured Grate
___ -25 White A.R.C. Bucket
___ -31 Stainless Steel Mesh Liner for Bucket

* Regularly furnished unless otherwise specified.