



# Z1700

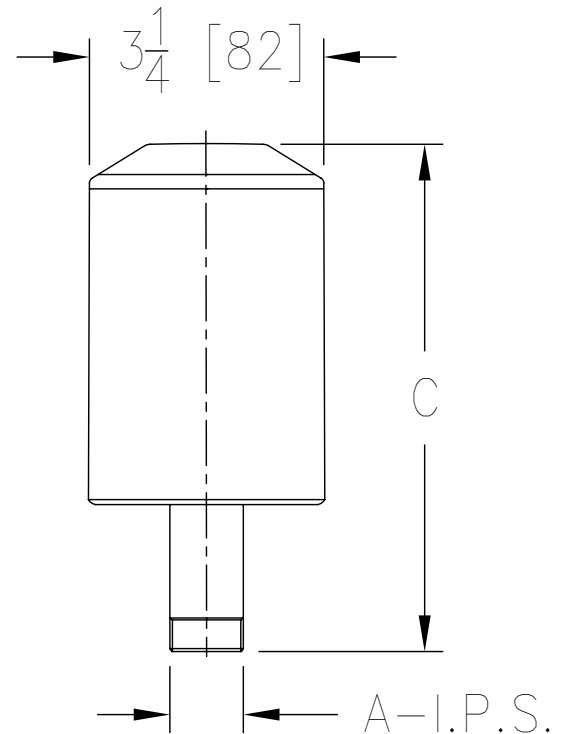
## SHOKTROL WATER HAMMER ARRESTORS

SPECIFICATION SHEET

TAG \_\_\_\_\_

Design and Dimensional Data (inches and [ mm ]) are Subject to Manufacturing Tolerances and Change Without Notice

Size	'A' In. [mm]	'C' In. [mm]	Approx. Wt. Lbs. [kg]	Fixture Unit Capacity
100	3/4 [19]	3-1/4 [82]	15/16 [.425]	1-11
200	1 [25]	4-1/16 [103]	1-5/32 [.525]	12-32
300	1 [25]	4-3/8 [111]	1-5/16 [.6]	33-60
400	1 [25]	5-1/4 [133]	1-9/16 [.7]	61-113
500	1 [25]	7-1/32 [178]	2-3/16 [1.0]	114-154
600	1 [25]	7-1/32 [178]	2-3/16 [1.0]	155-330



### Pressure and Temperature Requirements:

Maximum Working Pressure: 125 psi [862 Kpa]  
 Maximum Static Pressure: 250 psi [1724 Kpa]  
 Operating Temperature Range: 33°F to 300 °F [1°C to 149°C]

### ENGINEERING SPECIFICATION: ZURN Z1700

Shoktrol Water Hammer Arrestors are regularly furnished in all stainless steel construction. Pipe threads are accurately machined to assure tight connection. 3/4" [19mm] male I.P.S. inlet is standard for the 100 size units, while 1" [25mm] male I.P.S. inlet is standard for sizes 200 thru 600.

All sizes of Zurn Z1700 Shoktrol Water Hammer Arrestors comply with the following specifications:

PDI WH-201  
 ASSE 1010

Where required in piping systems, properly sized water hammer arrestors shall be ZURN Z1700 (specify size) with nesting type bellows contained within a casing having sufficient displacement volume to dissipate the calculated kinetic energy generated, in the piping system. Both casing and bellows constructed of Type 304 stainless steel.

\* Regularly furnished unless otherwise specified

**⚠ WARNING:** Cancer and Reproductive Harm - [www.P65Warnings.ca.gov](http://www.P65Warnings.ca.gov)

**⚠ ADVERTENCIA:** Cáncer y daño reproductivo - [www.P65Warnings.ca.gov](http://www.P65Warnings.ca.gov)

**⚠ AVERTISSEMENT:** Cancer et effets néfastes sur la reproduction - [www.P65Warnings.ca.gov](http://www.P65Warnings.ca.gov)

Zurn Industries, LLC | Specification Drainage Operation  
 1801 Pittsburgh Avenue, Erie, PA 16502, Ph. 855.663.9876

In Canada | Zurn Industries Limited  
 7900 Goreway Drive, Unit 10, Brampton, Ontario L6T 5W6, Ph. 877.892.5216

[www.zurn.com](http://www.zurn.com)

Rev. F  
 Date: 03/08/2023  
 C.N. No. 145154  
 Patent: Zurn.com/patents  
 Prod. | Dwg. No. Z1700