

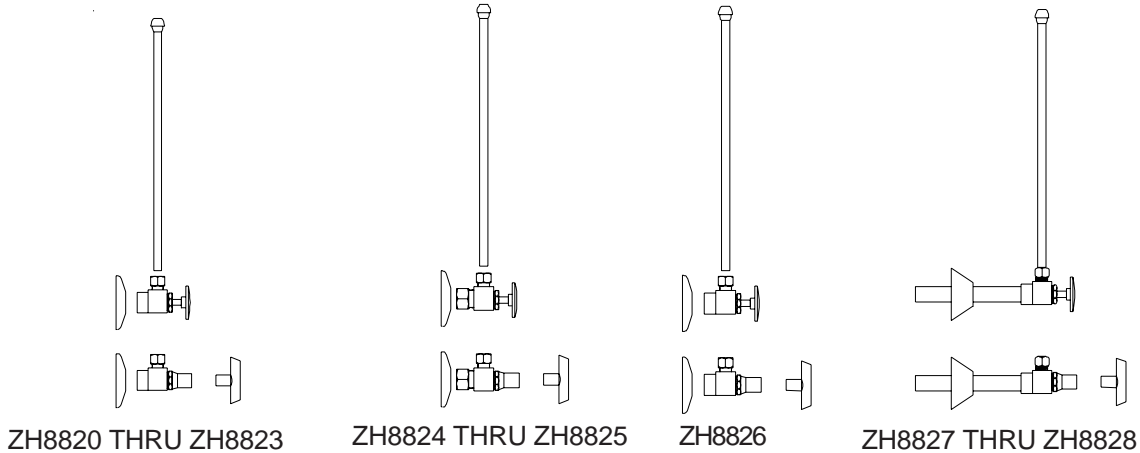


HEAVY DUTY STOP WITH FLEXIBLE LAVATORY SUPPLY

Z8820LR-PC TO Z8828LRLK-PC

TAG _____

Engineering Specification: Zurn ZH8820LR-PC to ZH8828LRLK-PC -Two Zurn chrome plated, solid brass heavy duty angle stops with round wheel handles or loose key as specified, two 12[305] flexible chrome plated copper lavatory risers complete with two chrome plated steel flanges. ZH8827LR and ZH8828LR include 5[127] chrome plated copper extension tubes and deep bell steel flanges.



PRODUCT NUMBER	CONNECTIONS	EXT.	MASTER CARTON	WEIGHT CARTON	
				LR	LRLK
ZH8820LR-PC	3/8 [10] IPS x 3/8 [10] OD	-	25	30	
ZH8820LRLK-PC	3/8 [10] IPS x 3/8 [10] OD	-	25		33
ZH8821LR-PC	3/8 [10] IPS x 1/2 [13] OD	-	25	30	
ZH8821LRLK-PC	3/8 [10] IPS x 1/2 [13] OD	-	25		33
ZH8822LR-PC	1/2 [13] IPS x 3/8 [10] OD	-	25	30	
ZH8822LRLK-PC	1/2 [13] IPS x 3/8 [10] OD	-	25		33
ZH8823LR-PC	1/2 [13] IPS x 1/2 [13] OD	-	25	30	
ZH8823LRLK-PC	1/2 [13] IPS x 1/2 [13] OD	-	25		33
ZH8824LR-PC	1/2 [13] NOM x 3/8 [10] OD	-	25	30	
ZH8824LRLK-PC	1/2 [13] NOM x 3/8 [10] OD	-	25		33
ZH8825LR-PC	1/2 [13] NOM x 1/2 [13] OD	-	25	30	
ZH8825LRLK-PC	1/2 [13] NOM x 1/2 [13] OD	-	25		33
ZH8826LR-PC	1/2 [13] SWT x 3/8 [10] OD	-	25	30	
ZH8826LRLK-PC	1/2 [13] SWT x 3/8 [10] OD	-	25		33
ZH8827LR-PC	1/2 [13] SWT x 3/8 [10] OD	5	25	40	
ZH8827LRLK-PC	1/2 [13] SWT x 3/8 [10] OD	5	25		42
ZH8828LR-PC	1/2 [13] SWT x 1/2 [13] OD	5	25	40	
ZH8828LRLK	1/2 [13] SWT x 1/2 [13] OD	5	25		42

SUFFIXES

_____ - A	Single supply option	_____ - 15	15[381] Supply tube
_____ - CE	Chrome Plated, Cast Brass, Flange with setscrew	_____ - 20	20[508] Supply tube
_____ - D	Chrome Plated Steel, Deep Bell Flange (Bell Type)		
_____ - HC1	Heavy-duty line lock shield cap		
_____ - WD	Wrought Brass, Deep Flange, (Bell Type)		
_____ - XP	Cross Handle		
_____ - 3	3[76] Nipple		
_____ - 5	5[127] Nipple		

ZURN INDUSTRIES, LLC ♦ COMMERCIAL BRASS OPERATION ♦ 2640 SOUTH WORK STREET ♦ FALCONER NY 14733

Phone: 1-716-665-1132 ♦ Fax: 1-716-665-1135 ♦ World Wide Web: www.zurn.com

In Canada: ZURN INDUSTRIES LIMITED ♦ 3544 Nashua Drive ♦ Mississauga, Ontario L4V1L2 ♦ Phone: 905/405-8272 Fax: 905/405-1292