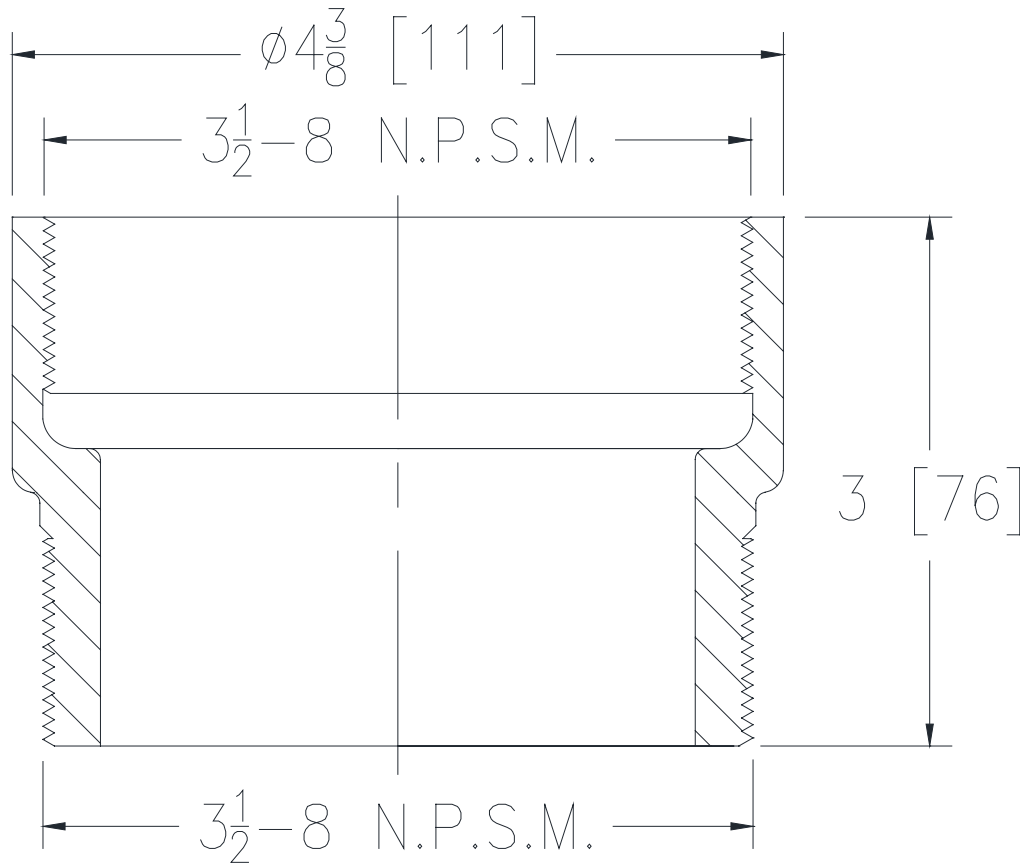


Design and Dimensional Data (inches and [mm]) are Subject to Manufacturing Tolerances and Change Without Notice



Strainer Designation	Approx. Wt. Lbs. [kg]
-U	2 [1]

ENGINEERING SPECIFICATION: ZURN Z()400U
"TYPE U" adjustable strainer extension.

OPTIONS (Check/specify appropriate options)

PREFIXES

___ Z D.C.C.I Body*
___ ZN Cast Nickel Bronze Body

SUFFIXES

___ -G Galvanized Cast Iron

* Regularly furnished unless otherwise specified.

⚠ WARNING: Cancer and Reproductive Harm - www.P65Warnings.ca.gov

⚠ ADVERTENCIA: Cáncer y daño reproductivo - www.P65Warnings.ca.gov

⚠ AVERTISSEMENT: Cancer et effets néfastes sur la reproduction - www.P65Warnings.ca.gov

Zurn Industries, LLC | Specification Drainage Operation
1801 Pittsburgh Avenue, Erie, PA 16502, Ph. 855.663.9876

In Canada | Zurn Industries Limited
7900 Goreway Drive, Unit 10, Brampton, Ontario L6T 5W6, Ph. 877.892.5216

www.zurn.com

Rev. C
Date: 12/30/22
C.N. No. 144898
Patent zurn.com/patents
Prod. | Dwg. No. Z400U