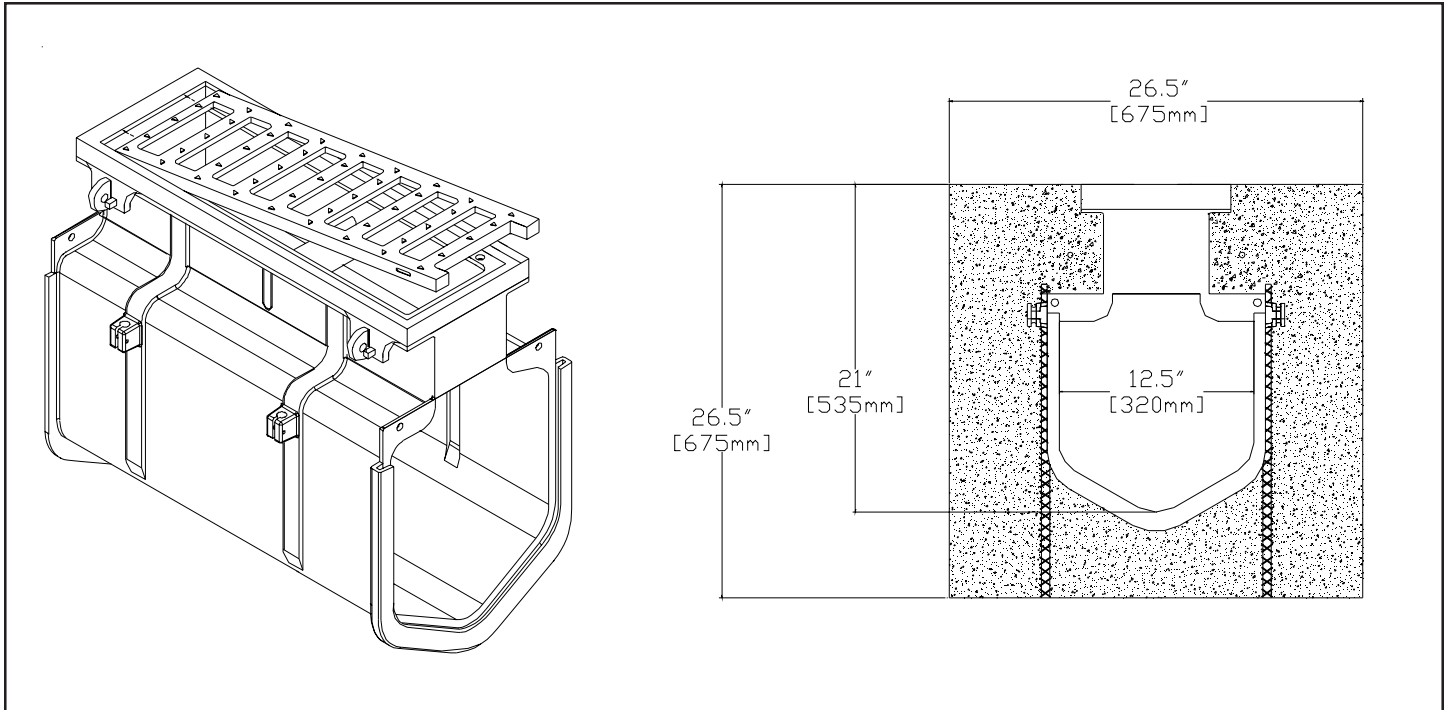




Z-889-18 HI-CAP SLOTTED DRAINAGE SYSTEM CLEANOUT PORT



ENGINEERING SPECIFICATION

Zurn Z-889-18 8"[203mm] wide linear low density polyethylene cleanout port. 24"[610mm] long modular cleanout with specified frame and grate, mechanically interlocking joints, integral rebar clips, and smooth radiused interior. Regularly furnished with the Ductile Iron Frame/Grate, which allows access to the system.

OPTIONS

— -GDG	Ductile Iron Galvanized Frame/Grate
— -E1	End Cap
— -E6	6"[152mm] No-Hub End Outlet
— -E8	8"[203mm] No-Hub End Outlet
— -E12	12"[305mm] No Hub End Outlet
— -E18	18"[460mm] No-Hub End Outlet
— -HPD	Heelproof Ductile Iron Grate
— -HPG	Heelproof Ductile Iron Galvanized Frame/Grate
— -HPS	Heelproof Cast Stainless Frame/Grate
— -SG	Cast Stainless Frame/Grate
— -T12/18	Transition from -12 To -18
— -T18/12	Transition from -18 To -12
— -T18/36	Transition from -18 To -36

REV. A DATE: 12/16/03 C.N. NO. 101129

DWG. NO. 62266 PRODUCT NO. Z-889-18

*Regularly Furnished Unless Otherwise Specified

ZURN INDUSTRIES, INC., FLO-THRU DIV., 2640 South Work Street, Falconer, NY 14733

Phone: 716/665-1132, Fax: 716/665-1135, World Wide Web: www.zurn.com

In Canada: ZURN INDUSTRIES LIMITED, 3544 Nashua Drive, Mississauga, Ontario L4V1L2, Phone: 905/405-8272 Fax: 905/405-1292

In UK: Zurn Industries Ltd, Riverside Rd, Pottington Business Park, Barnstaple, Devon EX31 1QN, Phone 01271-340350 Fax 01271-344660