



# LABORATORY WATER VALVE

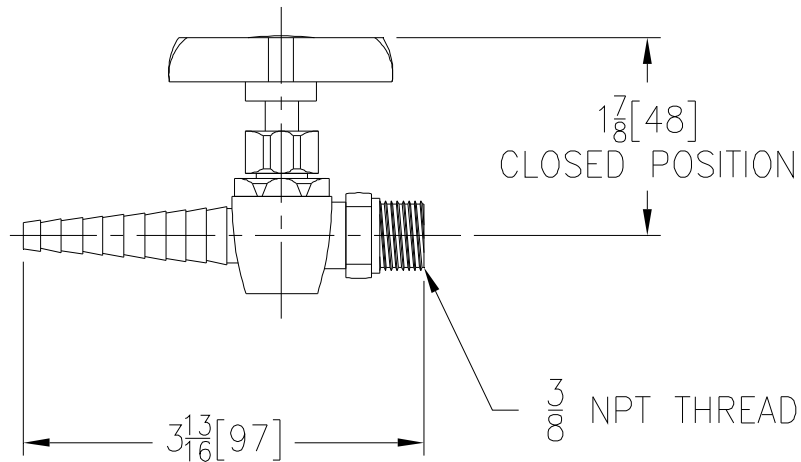
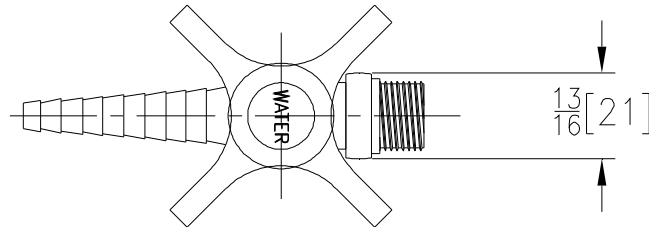
Z8003A

TAG \_\_\_\_\_



### Engineering Specifications: Zurn AquaSpec® Z8003A

A water 3/8" NPT male inlet hose cock with a cross handle and removable serrated nozzle outlet.



Note: All dimensions are for reference only. Do not use for pre-plumbing.

### OPTIONAL ACCESSORIES

#### Suffix Description

No options required

ZURN INDUSTRIES, INC. ♦ COMMERCIAL BRASS OPERATION ♦ 2640 SOUTH WORK STREET ♦ FALCONER NY 14733

Phone: 1-716-665-1132 ♦ Fax: 1-716-665-1135 ♦ World Wide Web: [www.zurn.com](http://www.zurn.com)

In Canada: ZURN INDUSTRIES LIMITED ♦ 3544 Nashua Drive ♦ Mississauga, Ontario L4V1L2 ♦ Phone: 905/405-8272 Fax: 905/405-1292