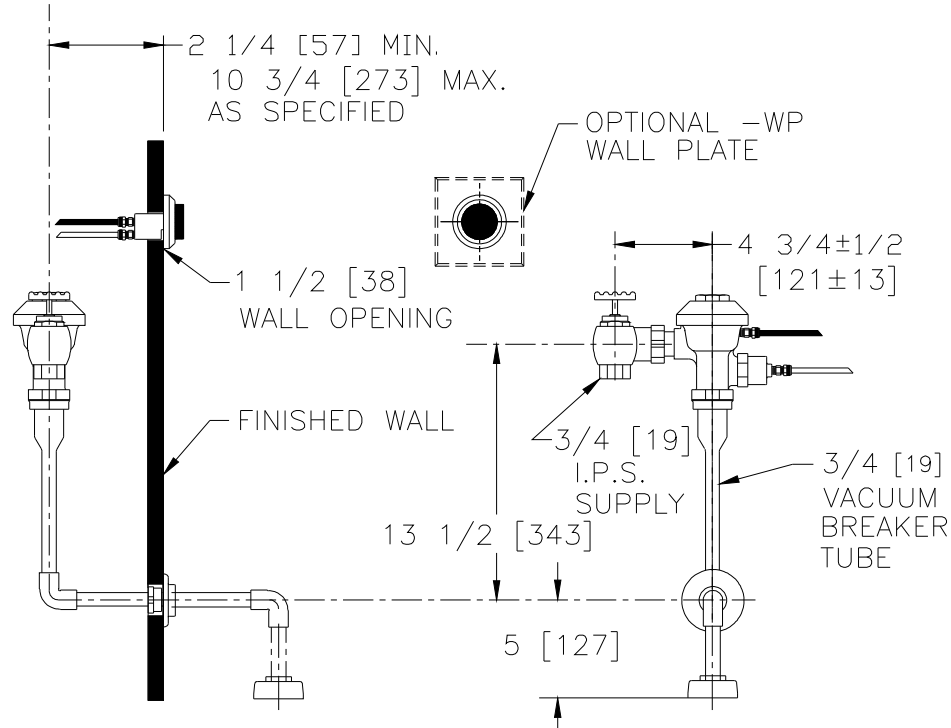


ZH6197AV

Aquavantage Concealed Urinal Flush Valve with Hydraulic Actuation and Top Spud Connection



Flow Options

<input type="checkbox"/> -WS1	1.0 Gal. Low Consumption
<input type="checkbox"/> -Standard Flush	1.5 Gallons Per Flush
<input type="checkbox"/> -EWS	.5 Gallons Per Flush

OPTIONS (Check/specify appropriate options)

___ -FW	Fixture Wall Mounted Hydraulic Actuator
___ -MB	1" [25] Metal Push Button Hydraulic Actuator
___ -SW	Side Wall Mounted Hydraulic Actuator
___ -WP	Wall Plate for Push Button (ZP-50)
___	Other

ENGINEERING SPECIFICATION: ZURN ZH6197AV AquaVantage 'AV' Concealed Urinal Flush Valve with Hydraulic Actuation and Top Spud Connection - Concealed, quiet diaphragm-type, rough brass, flushometer valve with Zurn's AquaVantage TPE, chloramine resistant, dual seal diaphragm with clog resistant, triple filtered by-pass. The valve incorporates a non-hold-open type feature with a hydraulic push button actuator that may be located up to 36"[914] when fixture wall mounted (-FW option) and 72"[2133] when side wall mounted (-SW option) from the valve and a 3/4"[19] wheel handle operated angle stop valve with siphon-gard backcheck protection. The valve is furnished complete with a sweat solder kit, vacuum breaker, 3/4"[19] flush tube, elbow flush connection, fixture spud escutcheon, and fixture spud securing nut.

Electrical Box Requirements:
Steel City or Equal

Optional WP Wall Plate Box:
(1) 4 x 4 x 2-1/8 Box #52171-3/4
(1) 1-1/2" Device Cover #52-C-53-1-1/2

This space is for Architectural/engineering Approval