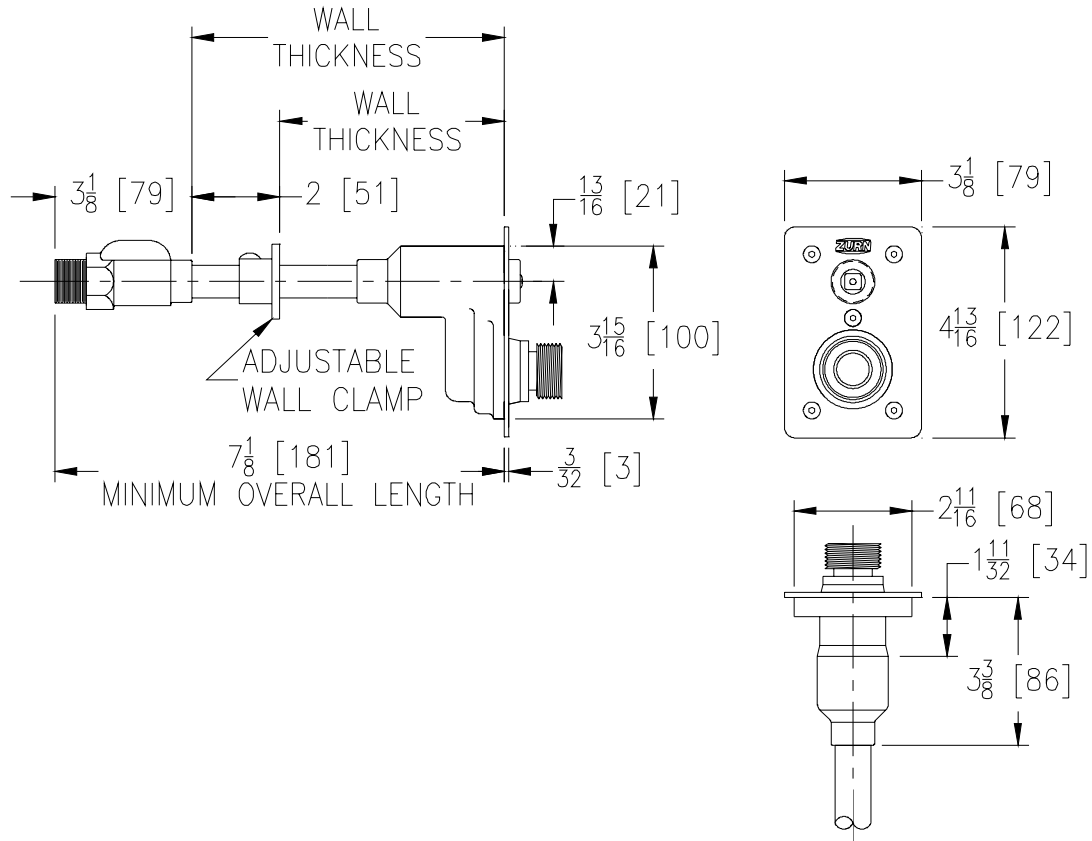


Dimensional Data (inches and [ mm ]) are Subject to Manufacturing Tolerances and Change Without Notice



Wall Thickness In Inches	Approx. Wt. Lbs. [kg]
4-6-8 [102-152-203]	3 [1]
10-12-14-16 [254-305-356-406]	4 [2]
18-20-22-24 [457-508-559-610]	5-6 [2-3]

**ENGINEERING SPECIFICATION:** Z1321-C Exposed Ecolotrol anti-siphon, automatic draining non freeze wall hydrant complete with integral backflow preventer, copper casing, all bronze interior parts, non-turning operating rod with free-floating compression closure valve, and combination 3/4 [19] female solder and 3/4 [19] male pipe thread inlet connection standard. Regularly furnished with 3/4 [19] male hose connection. Includes stainless steel face with operating key.

**OPTIONS** (Check/specify appropriate options)

**SUFFIXES**

- \_\_\_ -34EL 3/4 [19] 90° Solder Inlet Elbow
- \_\_\_ -AN Angled Nozzle Hose Connection
- \_\_\_ -DU Combination 3/4 [19] Female and 1 [25] Male Pipe Thread Connection
- \_\_\_ -PB Polished Bronze Finish
- \_\_\_ -RK Hydrant Parts Repair Kit (669552069)
- \_\_\_ -WC Wall Clamp



1019-A