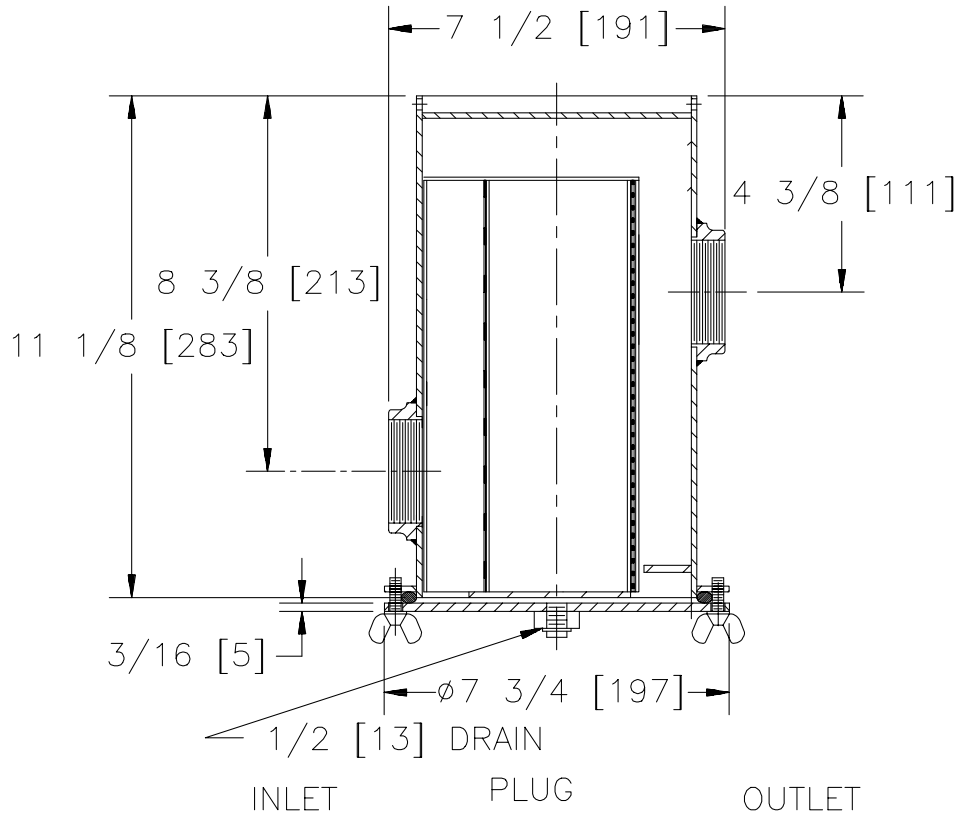




ZA-1184
BOTTOM ACCESS SOLIDS INTERCEPTOR

TAG _____

Dimensional Data (inches and [mm]) are Subject to Manufacturing Tolerances and Change Without Notice



Inlet/Outlet Inches	Flow Rate GPM [L]	Approx. Wt. Lbs. [kg]
1-1/2, 2** [38, 50]	15 [57]	10 [4]

ENGINEERING SPECIFICATION: ZURN ZA-1184 Bottom access acid resistant coated fabricated steel solids interceptor, in lieu of fixture 'P' trap, for suspended installation. Furnished with fabricated steel removable basket with stainless steel removable screens designed to intercept all types of solids, and precious metals. Complete with gasketed secured bottom plate and plugged drain port. Regularly furnished with 2 [50] low inlet and high outlet.**

OPTIONS (Check/specify appropriate options)

PREFIXES

___ ZA- Acid Resistant Coated Fabricated Steel*

SUFFIXES

___ -RS Set of Replacement Screens for Basket
 ___ -RY Complete Replacement Basket Assembly with Screens

REV.	DATE: 6/12/00	C.N. NO. 85264
DWG. NO. 63936		PRODUCT NO. ZA-1184

*REGULARLY FURNISHED UNLESS OTHERWISE SPECIFIED