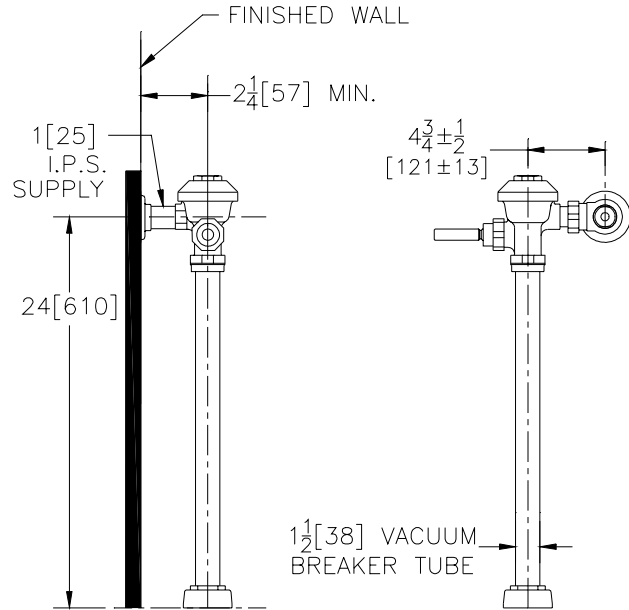




Exposed Z6000-2 Model for Water Closets



Flow Options

- | | | |
|--------------------------|-----------------------|--------------------------|
| <input type="checkbox"/> | -WS1 | 1.6 Gal. Low Consumption |
| <input type="checkbox"/> | -FF | 4.5 Gal. Full Flush |
| <input type="checkbox"/> | Standard Flush | 3.5 Gallons Per Flush |

Suffix Options (Check/Specify Appropriate Options)

- | | | |
|-------|------------|--------------------------------|
| _____ | -BG | BioCare ADA Handle |
| _____ | -H | Handle on Front of Flush Valve |
| _____ | -L | 1" [25] Metal Push Button |
| _____ | -L3 | 3" [76] Metal Push Button |
| _____ | -VC | Vandal Resistant Stop Cover |
| _____ | -YB | Sweat Solder Kit |
| _____ | -YC | Cast Wall Flange |
| _____ | -YJ | Split Ring Pipe Support |
| _____ | -YK | Solid Ring Pipe Support |
| _____ | | Other |

ENGINEERING SPECIFICATION: ZURN Z6000-2 Aquaflush Exposed Closet Flush Valve - The Aquaflush valve is a quiet diaphragm-type, chrome plated, flushometer valve with a chemical resistant, dual seal diaphragm with a clog resistant by-pass. The valve is ADA compliant with a non-hold-open and no leak handle feature, high back pressure vacuum breaker, hex coupling nut and adjustable tailpiece, spud coupling and flange for top spud connection. Control stop has internal siphon-guard protection.

- Z6000PL-2 -Aquaflush Plus** is furnished complete with sweat solder kit, vandal resistant stop cap, and cast wall flange.

This space is for Architectural/engineering Approval