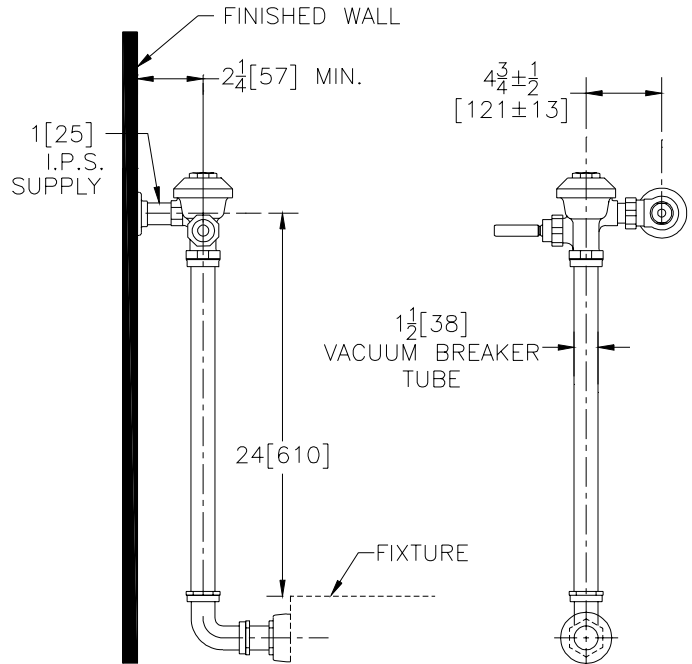


## Exposed Z6010-2 Model for Water Closets



### Flow Options

- |                          |                       |                          |
|--------------------------|-----------------------|--------------------------|
| <input type="checkbox"/> | <b>-WS1</b>           | 1.6 Gal. Low Consumption |
| <input type="checkbox"/> | <b>-FF</b>            | 4.5 Gal. Full Flush      |
| <input type="checkbox"/> | <b>Standard Flush</b> | 3.5 Gallons Per Flush    |

### Suffix Options (Check/Specify Appropriate Options)

- |       |            |                                     |
|-------|------------|-------------------------------------|
| _____ | <b>-BG</b> | BioCare ADA Handle                  |
| _____ | <b>-H</b>  | Handle on Front of Flush Valve      |
| _____ | <b>-L</b>  | 1" [25] Metal Push Button           |
| _____ | <b>-L3</b> | 3" [76] Metal Push Button           |
| _____ | <b>-VC</b> | Vandal Resistant Stop Cover         |
| _____ | <b>-YB</b> | Sweat Solder Kit                    |
| _____ | <b>-YC</b> | Cast Wall Flange                    |
| _____ | <b>-YH</b> | One Wall Bumper                     |
| _____ | <b>-YJ</b> | Split Ring Pipe Support             |
| _____ | <b>-YK</b> | Solid Ring Pipe Support             |
| _____ | <b>-YL</b> | Solid Ring Pipe Support with Bumper |
| _____ | <b>-YN</b> | Bumper on Flushe Pipe               |
| _____ |            | Other                               |

**ENGINEERING SPECIFICATION: ZURN Z6010-2 Aquaflush Exposed Closet Flush Valve** -Exposed, quiet diaphragm-type, chrome plated flushometer valve with a polished exterior. Complete with a chloramine resistant, dual seal diaphragm with a clog resistant by-pass. The valve is ADA compliant with a non-hold-open and no leak handle feature, high back pressure vacuum breaker, hex coupling nut and adjustable tailpiece, spud coupling and flange for back spud connection. Control stop has internal siphon-guard protection. Internal seals are made of chloramine resistant materials.

- Z6010PL-2 - Aquaflush Plus** is furnished as specified above and includes sweat solder kit, vandal resistant stop cap, and cast wall flange.

This space is for Architectural/engineering Approval