



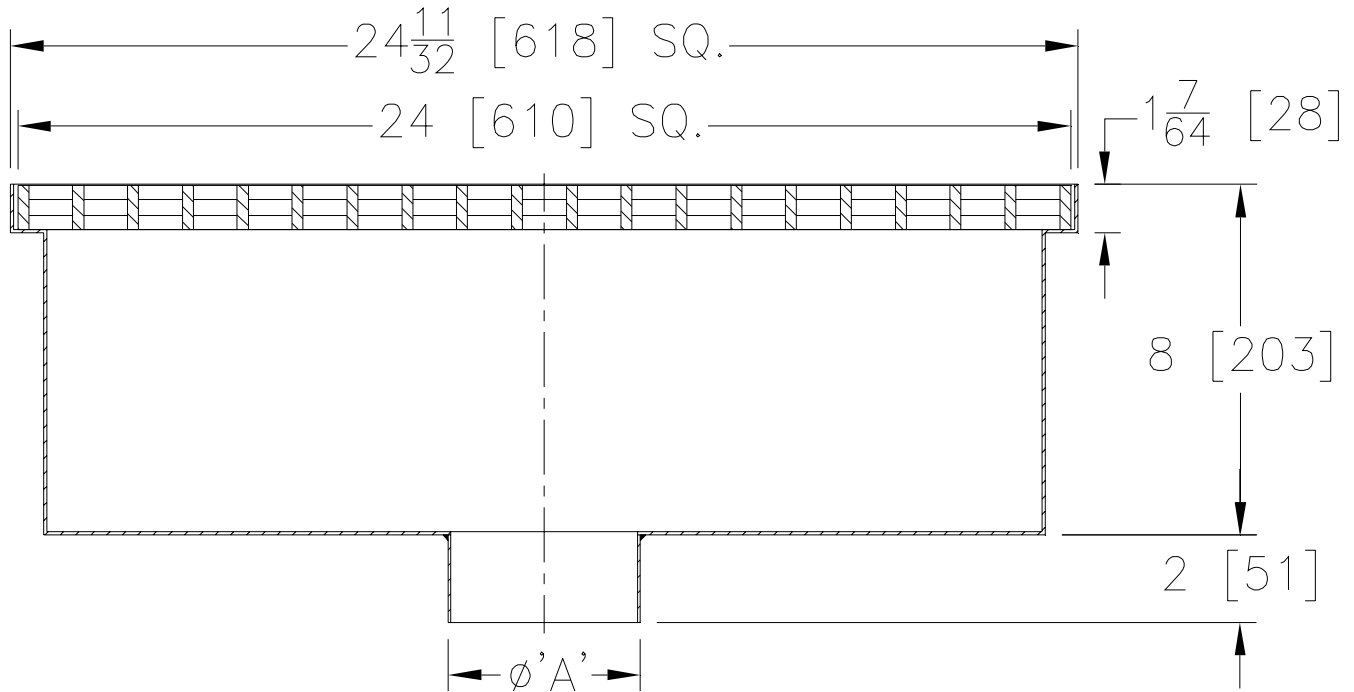
**Z1761**

**24 5/16 [618] SQUARE KETTLE DRAIN  
W/ 8 [203] SUMP DEPTH**

**SPECIFICATION SHEET**

**TAG \_\_\_\_\_**

Dimensional Data (inches and [ mm ]) are Subject to Manufacturing Tolerances and Change Without Notice



A Pipe Size In.	Approx. Wt. Lbs. [kg]	Grate Open Area Sq. In. [cm <sup>2</sup> ]
4-6-8[102-152-203]	72 [33]	425 [2742]

**ENGINEERING SPECIFICATION: ZURNZS1761**  
24 5/16 [618] Square x 8 [203] deep, 14 gage, All Type 304 (CF8) Stainless Steel light duty Kettle Drain with, loose set full grate.

**OPTIONS** (Check/specify appropriate options)

**PIPE SIZE** (Specify size) **OUTLET**  
4-6-8[102-152-203] \_\_\_\_\_ NH No-Hub

**PREFIXES**  
 \_\_\_\_\_ Z A.R.E. Coated Fabricated Steel Body and Type 304 (CF8) Stainless Steel Grate  
 \_\_\_\_\_ ZS Type 304 (CF8) Stainless Steel Body and Grate\*  
 \_\_\_\_\_ ZM Type 316 (CF8M) Stainless Steel Body and Grate

**SUFFIXES**  
 \_\_\_\_\_ -PB Perforated Sediment Bucket

<b>REV. D</b>	<b>DATE: 2/13/09</b>	<b>C.N. NO. 99693</b>
<b>DWG. NO. 67168</b>	<b>PRODUCT NO. Z1761</b>	

\*REGULARLY FURNISHED UNLESS OTHERWISE SPECIFIED