

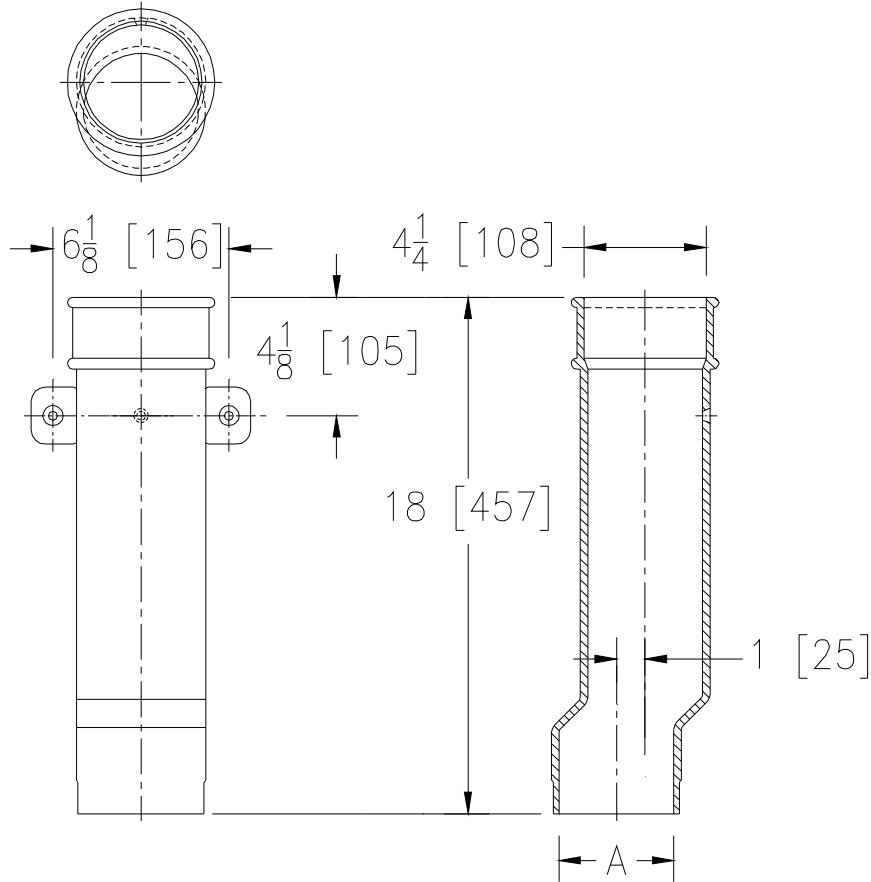


Z191-RD
4 [102] x 18 [457] DOWNSPOUT BOOT

SPECIFICATION SHEET

TAG _____

Dimensional Data (inches and [mm]) are Subject to Manufacturing Tolerances and Changes Without Notice



Product Designation	Size	A Pipe Size	Approx. Wt. Lbs. [kg]
Z191-RD	Ø4 x 18 [102 x 457]	4 [102]	20 [9]

ENGINEERING SPECIFICATION: ZURN Z191-RD
 4 [102] x 18 [457] Downspout Boot, Dura-coated cast iron body, round inlet and outlet and strap with 1/4 [6] dia. cast holes for flat head bolts.

OPTIONS (Check/specify appropriate options)

PIPE SIZE

4 [100] _____

OUTLET

NH No-Hub

PREFIXES

___ Z D.C.C.I. Body*

SUFFIXES

___ -CA Cleanout Access with Plug

___ -G Galvanized Cast Iron

REV. B	DATE: 10/21/10	C.N. NO. 111910
DWG. NO. 67488	PRODUCT NO. Z191-RD	

*REGULARLY FURNISHED UNLESS OTHERWISE SPECIFIED