



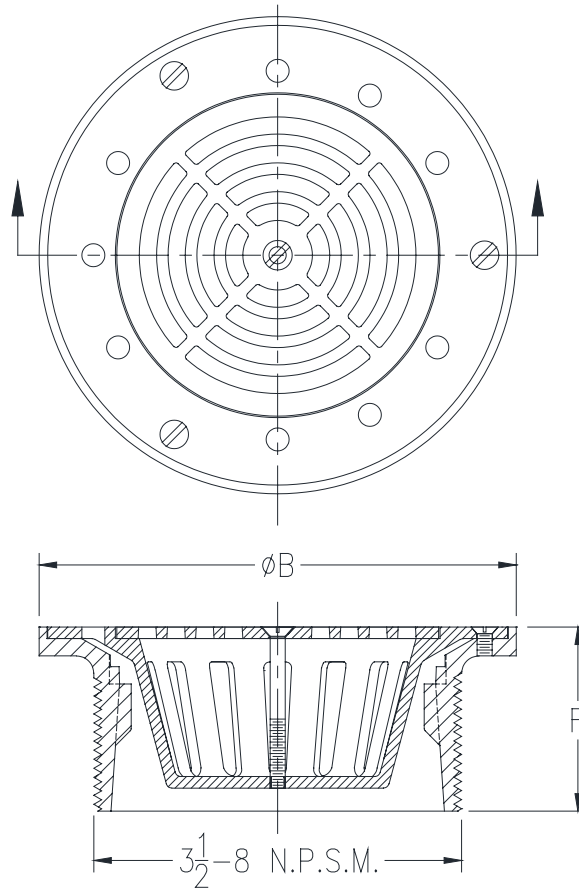
# Z400M

## "TYPE M" ROUND STRAINER W/ SLOTTED OPENINGS & SUR-SET BUCKET

SPECIFICATION SHEET

TAG \_\_\_\_\_

Design and Dimensional Data (inches and [ mm ]) are Subject to Manufacturing Tolerances and Change Without Notice



Strainer Designation	Dimension in Inches[mm]		Approx. Wt. Lbs. [kg]	Open Area Sq. In. [cm <sup>2</sup> ]
	Size B	Height F		
-5M	5 [127]	2 [51]	2 [1]	4.5 [29]

**ENGINEERING SPECIFICATION:** ZURN ZN400M "TYPE M" round adjustable light-duty strainer top with slotted heel-proof openings, secured grate and Sur-Set bucket. (Specify ZB or ZN finish)

### OPTIONS (Check/specify appropriate options)

#### PREFIXES

- \_\_\_ ZB Polished Bronze Top
- \_\_\_ ZN Polished Nickel Bronze Top\*

#### SUFFIXES

- \_\_\_ -PC Protective Cover
- \_\_\_ -VP Vandal-Proof Secured Top

\* Regularly furnished unless otherwise specified.

**⚠ WARNING:** Cancer and Reproductive Harm - [www.P65Warnings.ca.gov](http://www.P65Warnings.ca.gov)

**⚠ ADVERTENCIA:** Cáncer y daño reproductivo - [www.P65Warnings.ca.gov](http://www.P65Warnings.ca.gov)

**⚠ AVERTISSEMENT:** Cancer et effets néfastes sur la reproduction - [www.P65Warnings.ca.gov](http://www.P65Warnings.ca.gov)

Zurn Industries, LLC | Specification Drainage Operation  
1801 Pittsburgh Avenue, Erie, PA 16502, Ph. 855.663.9876

In Canada | Zurn Industries Limited  
7900 Goreway Drive, Unit 10, Brampton, Ontario L6T 5W6, Ph. 877.892.5216

[www.zurn.com](http://www.zurn.com)

Rev.	F
Date:	01/05/23
C.N. No.	144898
Patent	<a href="http://zurn.com/patents">zurn.com/patents</a>
Prod.   Dwg. No.	Z400M