



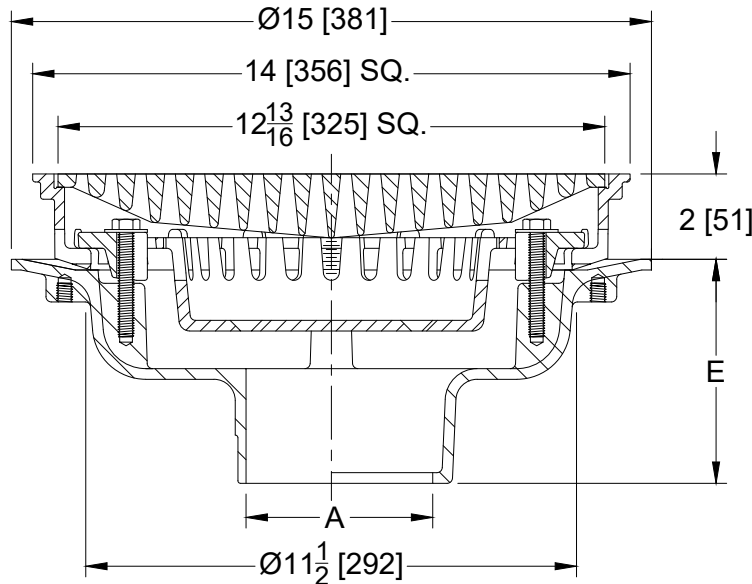
# Z150

14 [356] SQUARE TOP PROM-DECK DRAIN W/  
HEEL-PROOF GRATE, ROTATABLE FRAME & SEDIMENT  
BUCKET

SPECIFICATION SHEET

TAG \_\_\_\_\_

Design and Dimensional Data (inches and [ mm ]) are Subject to Manufacturing Tolerances and Change Without Notice



A-Pipe Size In. [mm]	Approx. Wt. Lbs. [kg]	Grate Open Area In <sup>2</sup> . [cm <sup>2</sup> ]
2, 3, 4 [51, 76, 102]	62 [28]	44 [284]
6 [152]		
8 [203]	63 [29]	

### ENGINEERING SPECIFICATION: ZURN Z150

14" [356mm] Square Top Prom-Deck drain. Dura-Coated cast iron body with rotatable square promenade frame with seepage openings, frame clamps, heavy-duty heel-proof duresist grate and sediment bucket.

### OPTIONS (Check/specify appropriate options)

#### PIPE SIZE

- \_\_\_ 3, 4, 6 [76, 102, 152]
- \_\_\_ 2, 3, 4, 6, 8 [51, 76, 102, 152, 203]
- \_\_\_ 2, 3, 4, 6, 8 [51, 76, 102, 152, 203]
- \_\_\_ 2, 3, 4 [51, 76, 102]

#### (Specify size/type) OUTLET

- \_\_\_ IC Inside Caulk
- \_\_\_ IP Threaded
- \_\_\_ NH No-Hub
- \_\_\_ NL Neo-Loc

#### 'E' BODY HT. DIM.

- \_\_\_ 5-1/4 [133]
- \_\_\_ 3-3/4 [95]
- \_\_\_ 5-1/4 [133]
- \_\_\_ 4-9/16 [116]

#### PREFIXES

- \_\_\_ Z D.C.C.I. Body with Top\*
- \_\_\_ ZN D.C.C.I. Body with Polished Nickel Bronze Top (Add 3/16 [5] to 2 [51] Dim & 3/8 [10] to 14 [356] Dim.)

#### SUFFIXES

- |  |   |
|--|---|
| ___ -AR Acid Resistant Epoxy Coated  | ___ -G Galvanized Cast Iron   |
| ___ -C Underdeck Clamp   | ___ -R Roof Sump Receiver   |
| ___ -DE Deck Extension   | ___ -S Secondary Strainer   |
| ___ -DP Top-Set® Roof Deck Plate<br>(Replaces both the -C and -R)                | ___ -SC Secondary Clamp Collar  |
| ___ -DR Top-Set® Roof Drain Riser<br>(Adjustment from 3-5/8 [92] to 7-1/4 [184]) | ___ -TC Neo-Loc Test Cap Gasket<br>(2, 3, 4 [51, 76, 102, 152] NL Bottom Outlet only) |
| ___ -DT Decorative Polished Top (ZN Only)  | ___ -TS Top Secured with Slotted Screws   |
| ___ -E Static Extension 1 [25] thru 4 [102] (Specify Ht.)                        | ___ -VP Vandal-Proof Secured Top  |
| ___ -EA Adjustable Extension Assembly<br>2-1/8 [54] thru 3-1/2 [89]              | ___ -XJ Vertical Expansion Joint (See Z190)   |
| ___ -EB Top-Set® Adjustable Extension AssemblyDam                                | ___ -85 Stainless Steel Perforated Extension  |
|  | ___ -90 90° Threaded Side Outlet Body<br>(2, 3, 4, 6 [51, 76, 102, 152])              |

\* Regularly furnished unless otherwise specified

⚠ **WARNING:** Cancer and Reproductive Harm - [www.P65Warnings.ca.gov](http://www.P65Warnings.ca.gov)

⚠ **ADVERTENCIA:** Cáncer y daño reproductivo - [www.P65Warnings.ca.gov](http://www.P65Warnings.ca.gov)

⚠ **AVERTISSEMENT:** Cancer et effets néfastes sur la reproduction - [www.P65Warnings.ca.gov](http://www.P65Warnings.ca.gov)

Zurn Industries, LLC | Specification Drainage Operation  
1801 Pittsburgh Avenue, Erie, PA 16502, Ph. 855.663.9876

In Canada | Zurn Industries Limited  
7900 Goreway Drive, Unit 10, Brampton, Ontario L6T 5W6, Ph. 877.892.5216

[www.zurn.com](http://www.zurn.com)

Rev. L  
Date: 04/12/23  
C.N. No. 145246  
Prod. | Dwg. No. Z150