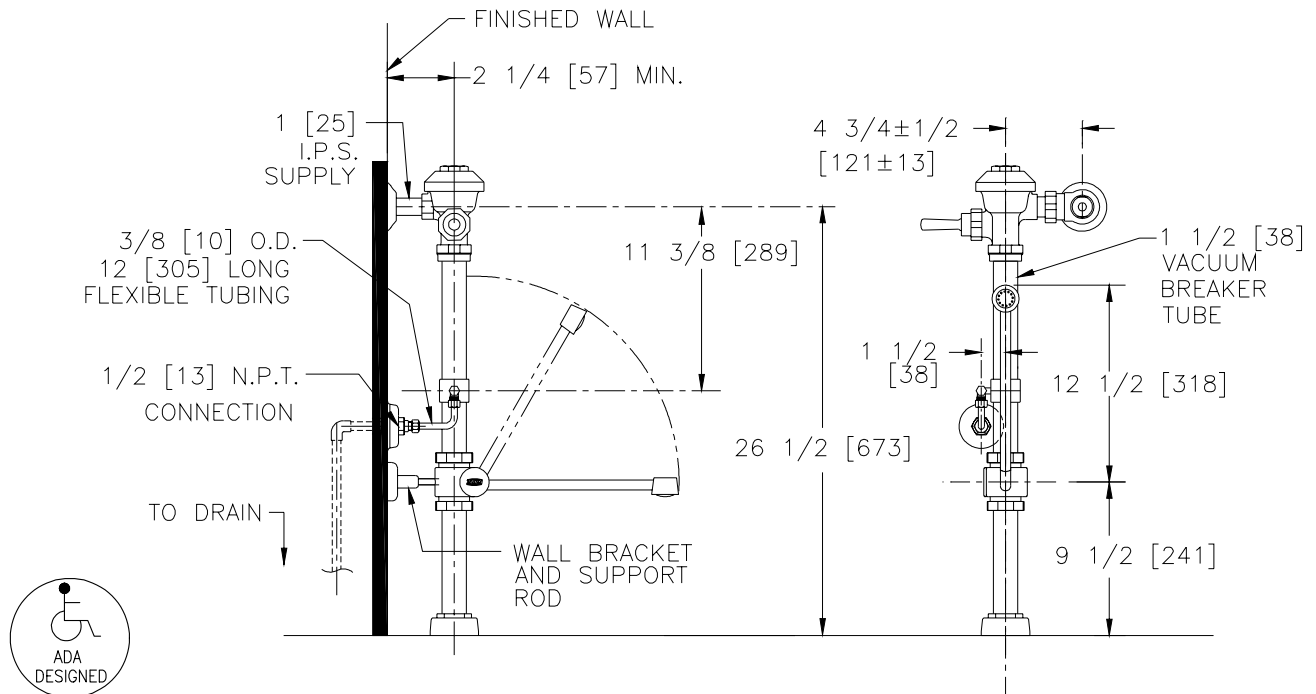




Exposed Z6000AV-BWN-TP Model with Bedpan Washer and Trap Primer for Water Closets



Flow Options

- | | |
|---|--------------------------------|
| <input type="checkbox"/> -WS1 | 1.6 Gal. Low Consumption Flush |
| <input type="checkbox"/> -FF | 4.5 Gal. Full Flush |
| <input type="checkbox"/> Standard Flush | 3.5 Gallons Per Flush |

Suffix Options (Check/Specify Appropriate Options)

- | | |
|-----------|--------------------------------|
| _____ -BG | BioCare ADA Handle |
| _____ -H | Handle on Front of Flush Valve |
| _____ -L | 1" [25] Metal Push Button |
| _____ -L3 | 3" [76] Metal Push Button |
| _____ -YJ | Split Ring Pipe Support |
| _____ -YK | Solid Ring Pipe Support |
| _____ | Other |

ENGINEERING SPECIFICATION: ZURN Z6000AV-BWN-TP

AquaVantage® 'AV' Exposed Closet Flush Valve with Bedpan Washer and Trap Primer- Exposed, quiet diaphragm-type, chrome plated, flushometer valve with a polished exterior. Complete with Zurn's AquaVantage® TPE, chloramine resistant, dual seal diaphragm with a clog resistant, triple filtered by-pass. Valve is ADA compliant with a non-hold open and no leak handle feature, high back pressure vacuum breaker, bedpan washer assembly, wall bracket and support rod, one piece hex coupling nut, adjustable tailpiece, spud coupling and flange for top spud connection. The Trap Primer Assembly is furnished complete with trap primer collar, 3/8" x 12" supply tube and fittings and wall escutcheon. Control stop has internal siphon-guard protection, vandal resistant stop cap, sweat solder kit, and a cast wall flange with set screw. Internal seals are made of chloramine resistant materials.

This space is for Architectural/engineering Approval

ZURN INDUSTRIES, INC. ♦ COMMERCIAL BRASS OPERATION ♦ 5900 ELWIN BUCHANAN DRIVE ♦ SANFORD NC 27330

Phone: 1-800-997-3876 ♦ Fax: 919-775-3541 ♦ World Wide Web: www.zurn.com

In Canada: ZURN INDUSTRIES LIMITED ♦ 3544 Nashua Drive ♦ Mississauga, Ontario L4V1L2 ♦ Phone: 905-405-8272 Fax: 905-405-1292