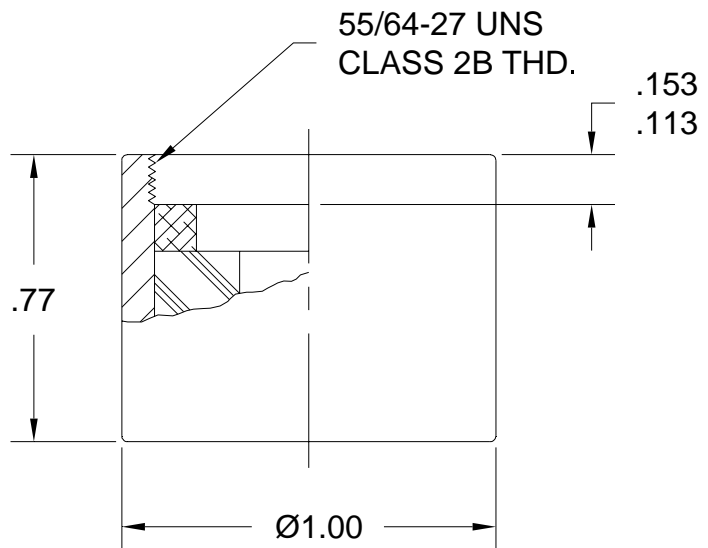
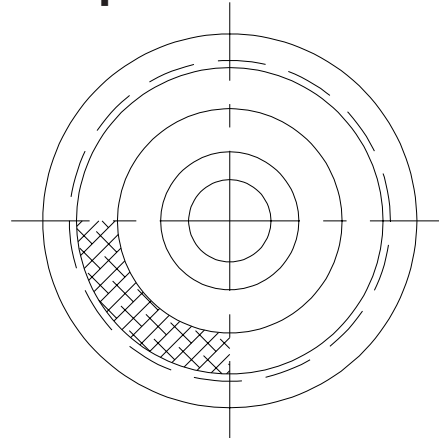




P6900-20-F-GN

0.5 GPM Sensor Faucet Aerator for Gooseneck Spouts



Option on the following sensor faucets

- Z6902
- Z6903-75
- Z6903-76
- Z6920
- Z6922

ENGINEERING SPECIFICATION: ZURN P6900-20F-GN
0.5 GPM Aerator for Gooseneck Sensor Faucet- 0.5 gpm vandal resistant female threaded aerator for Zurn Z6900 series of sensor faucets. Furnished with P6900-21 aerator wrench for removal when cleaning is required.

This space is for Architectural/engineering Approval