



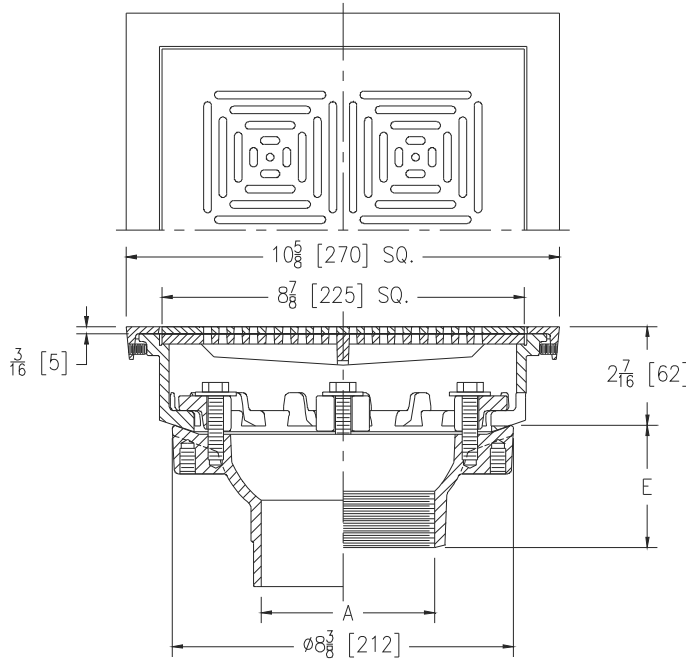
Z158-DT

10-5/8 [270] SQUARE TOP PROM-DECK DRAIN W/
DECORATIVE HEEL PROOF GRATE & ROTATABLE FRAME

SPECIFICATION SHEET

TAG _____

Dimensional Data (inches and [mm]) are Subject to Manufacturing Tolerances and Changes Without Notice



A Pipe Size In [mm]	Approx. Wt. Lbs. [kg]	Grate Open Area Sq. In. [cm ²]
2,3,4 [51,76,102]	25 [11]	19 [123]

ENGINEERING SPECIFICATION: ZURNZN158-DT

10-5/8" [270mm] Square top prom-deck drain, Dura-Coated cast iron body with rotatable square promenade frame with seepage slots, frame clamps and decorative light duty heel-proof grate with 3/16" [5mm] wide slots and nickel bronze veneer frame and grate.

OPTIONS (Check/specify appropriate options)

PIPE SIZE

- 3,4 [76,102]
- 2 [51]
- 3 [76]
- 4 [102]
- 2,3,4 [51,76,102]
- 2,3,4 [51,76,102]

(Specify size/type) **OUTLET**

- ___ IC Inside Caulk
- ___ IP Threaded
- ___ IP Threaded
- ___ IP Threaded
- ___ NH No-Hub
- ___ NL Neo-Loc

'E' BODY HT. DIM.

- 3-7/8 [98]
- 2-7/16 [62]
- 2-3/4 [70]
- 3 [76]
- 4 [102]
- 3-13/16 [97]

PREFIXES

- ___ ZB D.C.C.I. Body with Decorative Polished Bronze Top
- ___ ZN D.C.C.I. Body with Decorative Polished Nickel Bronze Top*

SUFFIXES

- ___ -AR Acid Resistant Epoxy Coated Finish
- ___ -C Underdeck Clamp
- ___ -DP Top-Set® Roof Deck Plate
- ___ -E 2 [51] High Static Extension
- ___ -EB Top-Set® Adjustable Extension Assembly
- ___ -G Galvanized Cast Iron
- ___ -SC Secondary Clamp Collar
- ___ -TC Neo-Loc Test Cap Gasket
(2,3,4 [51,76,102] NL Bottom Outlet only)
- ___ -TS Top Secured with Slotted Screws
- ___ -VP Vandal-Proof Secured Top
- ___ -Y Sediment Bucket
- ___ -85 Stainless Steel Perforated Extension
- ___ -90 90° Threaded Side Outlet Body
(2,3, 4 [51,76,102])

* Regularly furnished unless otherwise specified.