

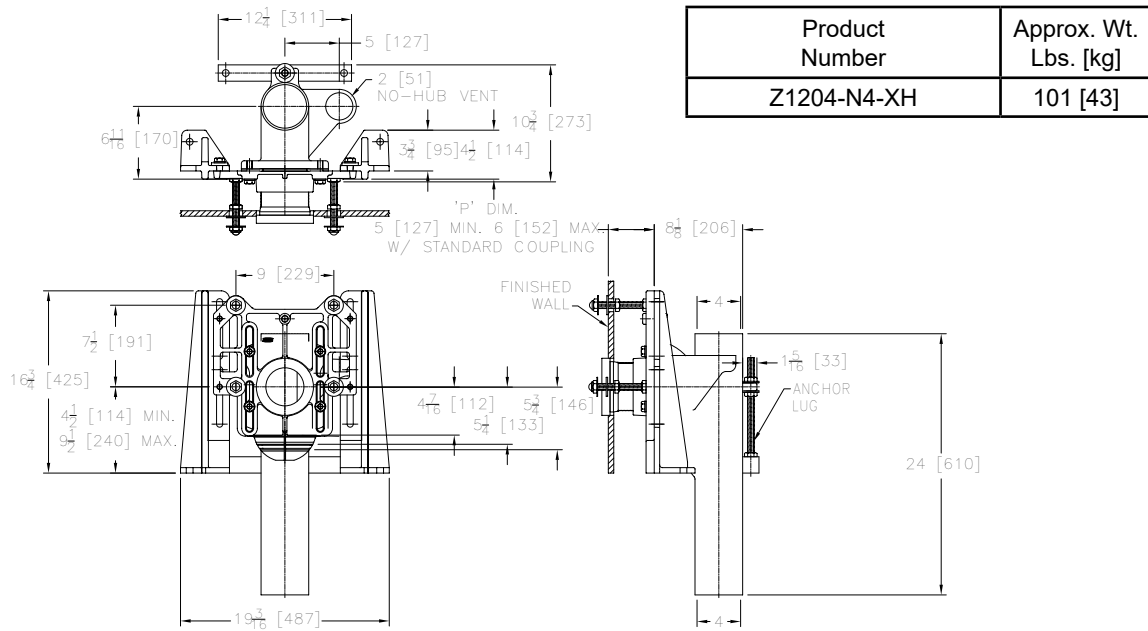


Z1204-N-XH
EXTRA-HEAVY-DUTY - 750 LB. [340 KG.]
ADJUSTABLE VERTICAL SIPHON JET NO-HUB

SPECIFICATION SHEET

TAG _____

Design and Dimensional Data (inches and [mm]) are Subject to Manufacturing Tolerances and Change Without Notice



Product Number	Approx. Wt. Lbs. [kg]
Z1204-N4-XH	101 [43]

* PULL-OUT FORCES ARE CALCULATED VALUES WITH STANDARD COUPLING ASSEMBLY. NO SAFETY FACTOR HAS BEEN APPLIED.

ENGINEERING SPECIFICATION: ZURN Z1204-N4-XH

Extra-Heavy-Duty Adjustable 750 Lb. [340 kg.], vertical siphon jet water closet "Rigid System" with 4 [102] No-Hub connections and optional side inlets. Dura-Coated cast iron main fitting, with 2 [51] vent, adjustable gasketed faceplate, floor mounted foot supports, corrosion resistant adjustable ABS coupling with integral test cap, fixture bolts, trim, and stud protectors. Complete with rear anchor tie down and bonded "Neo-Seal" gasket. Carrier complies with all applicable requirements of ASME A112.6.1M up to a 750-Lb. [340-kg.] load.

OPTIONS (Check/specify appropriate options)

___ Z1204-N4-XH No-Hub Stack, Single Inlet, 2 [51] Right Hand Vent

PREFIXES

___ Z D.C.C.I. System with Zurn "ZZ" Adjustable Coupling*
___ ZQ D.C.C.I. System with NPT Faceplate, Non-Adjustable Coupling

SUFFIXES

___ -BC Back Cleanout
___ -CC Corrosion Resistant Cast Iron Coupling (6 [152])
___ -G Galvanized Cast Iron
___ -JJ Two 2" [51] Auxiliary Inlets
___ -JL 2 [51] Left-Hand Auxiliary Inlet
___ -JR 2 [51] Right-Hand Auxiliary Inlet
___ -VL Left Hand Vent Connection
___ -VP Vandal-Proof Trim
___ -29 Mechanical Test Cap Assembly
___ -45 Finishing Frame for Siphon Jet System
___ -50 Flush Valve Supply Support for W.C.
___ -61 "ZZ" Coupling Wrench

* Regularly furnished unless otherwise specified

⚠ WARNING: Cancer and Reproductive Harm - www.P65Warnings.ca.gov

⚠ ADVERTENCIA: Cáncer y daño reproductivo - www.P65Warnings.ca.gov

⚠ AVERTISSEMENT: Cancer et effets néfastes sur la reproduction - www.P65Warnings.ca.gov

Note:

1. Feet and rear anchor bolted to floor using anchors capable of achieving the specified pull-out force.
2. Min. 'P' Dim. Obtainable=2 [51]
3. Back anchor foot mandatory for secure installation.
4. 2 [51] No-Hub vent connection regularly furnished on right hand side. Left hand available when specified (Suffix- VL)
5. Auxiliary inlet available right (-JR) or left (-JL) or both sides (-JJ) when specified.
6. Floor anchors each must be able to withstand a pull-out force of 796 lbs. [361 kg].

Zurn Industries, LLC | Specification Drainage Operation
1801 Pittsburgh Avenue, Erie, PA 16502, Ph. 855.663.9876

In Canada | Zurn Industries Limited
7900 Goreway Drive, Unit 10, Brampton, Ontario L6T 5W6, Ph. 877.892.5216

www.zurn.com

Rev. D
Date: 12/30/22
C.N. No. 144897
Patent zurn.com/patents
Prod. | Dwg. No. Z1204-N-XH